

Power Pedestals



Construction Site and RV Parks



Marina Power and Lighting



Mobile Home Panels

<b>6.1</b>	<b>Introduction</b>	
	Product Description . . . . .	286
	Application Description . . . . .	286
	Optional Features . . . . .	286
<b>6.2</b>	<b>Temporary Power/RV Park</b>	
	Product Overview . . . . .	287
	Product Description . . . . .	287
	Application Description . . . . .	288
	Features and Benefits . . . . .	288
	Standards and Certifications . . . . .	289
	Catalog Number Selection . . . . .	290
	Product Selection . . . . .	291
	Accessories . . . . .	291
	Renewal Parts . . . . .	292
	Surface Units . . . . .	294
	Product Overview . . . . .	294
	Product Selection . . . . .	294
	Dimensions . . . . .	297
	Pedestal Units . . . . .	300
	Product Overview . . . . .	300
	Product Selection . . . . .	300
	Dimensions . . . . .	302
<b>6.3</b>	<b>Mobile Home Panels</b>	
	Product Overview . . . . .	305
	Features . . . . .	305
	Catalog Number Selection . . . . .	306
	Product Selection . . . . .	306
	Accessories . . . . .	307
	Dimensions . . . . .	308
<b>6.4</b>	<b>RV Park Hook-Ups</b>	
	Power Pedestals . . . . .	312
	Powerhouse Power Pedestal . . . . .	314
	Powerhouse—Stainless Steel (SS) Power Pedestal . . . . .	317
	Newport Camp Mate Power Pedestal . . . . .	320
	Park Light Power Pedestal . . . . .	323
	Firehouse . . . . .	326
	Digital Electronic Kilowatthour Meters . . . . .	328
	Distribution Equipment—Ground Fault Monitor . . . . .	329
	Distribution Equipment—Substations . . . . .	330
	Distribution Equipment—Panels . . . . .	333
	Distribution Equipment—Transformers . . . . .	334
<b>6.5</b>	<b>Marina Power and Lighting Equipment</b>	
	Power Pedestals . . . . .	335
	Lighthouse . . . . .	338
	Lighthouse—SS . . . . .	342
	Admiral—SS . . . . .	346
	Newport Harbor Mate . . . . .	349
	Hatteras Light . . . . .	353
	Firehouse . . . . .	357
	Smart Start . . . . .	363
	Mariner . . . . .	364
	Digital Electronic Kilowatthour Meters . . . . .	365
	Distribution Equipment—Ground Fault Monitor . . . . .	366
	Distribution Equipment—Mega Yacht Powerpoint . . . . .	367
	Distribution Equipment—Substations . . . . .	370
	Distribution Equipment—Panels . . . . .	373
	Distribution Equipment—Transformers . . . . .	374

**Don't Give Up!**

If you don't find the product you want in this catalog, try the Flex Center at **1-800-330-6479**.

#### Power Pedestals



6

#### Contents

##### Description

Introduction

#### Product Description

A power pedestal is a device designed for outdoor service to meet temporary power requirements at construction sites, marinas, recreational vehicle (RV parks, marinas and mobile home parks). Power pedestals provide a safe and reliable means for users to access electricity at such locations.

#### Application Description

##### Construction Site and RV Parks

Power outlet panels on construction sites and in RV parks provide a safe and reliable means for users to access electricity. A wide range of products are available with multiple features and enclosure material options.



*Construction Site and RV Parks*

##### Mobile Home Panels

Eaton's versatile mobile home panels have a user-friendly design that allows for a faster, cleaner installation. Mobile home panels are designed for service entrance distribution, and include a meter and distribution section with breaker and receptacle configuration options.



*Mobile Home Panels*

##### Marina Power and Lighting

Park lighting and marina pedestals offer robust enclosure options with premium features to enhance user convenience at marinas and campgrounds.



*Marina Power and Lighting*

#### Optional Features

- Product can ship from the factory completely assembled and prewired
- External light
- TV and telephone jacks
- Ground fault monitors
- Digital electronic kilowatt-hour meters
- Water faucet
- Available GFI (ground fault interrupter) protection
- Weatherproof engineered resin enclosure (will never rust or deteriorate)
- Stainless steel to meet and exceed all applicable codes, and withstand harsh inland and coastal environments

## Power Outlet Panels



## Product Overview

A power outlet panel (or POP) is a device designed for outdoor service to meet temporary power requirements at construction sites and RV parks. POPs provide a safe and reliable means for users to access electricity at such locations.

## Product Description

Power outlet panels shall be designed for outdoor service to meet temporary power outlet requirements at construction sites and provide high quality, economical power to individual sites at RV parks. POPs shall be provided with means to bond the neutral for temporary service entrance applications. RV panels shall have a factory-installed insulated neutral bar.

## Receptacles and Circuit Protection

Circuit protection shall be Eaton's UL listed full-size Type BR or half-size Type BD circuit breakers. The receptacles shall be NEMA commercial/industrial grade devices. Ground fault protection (GFCB) shall be provided at the 20A duplex NEMA 5-20R receptacle or 20A single-pole circuit breaker when required. Ground fault protection shall be provided at the circuit breaker for receptacles above 20A when required.

## Contents

<b>Description</b>	<b>Page</b>
Product Overview . . . . .	287
Application Description . . . . .	288
Features and Benefits . . . . .	288
Standards and Certifications . . . . .	289
Catalog Number Selection . . . . .	290
Product Selection . . . . .	291
Accessories . . . . .	291
Renewal Parts . . . . .	292
Surface Units . . . . .	294
Pedestal Units . . . . .	300

## Construction

The power outlet panel pedestal shall be of deadfront design and constructed of heavy gauge, 100 percent galvanized steel. Baked-on polyester powder coating shall be used for excellent mechanical strength, plus resistance to chalking caused by the sun's ultraviolet rays. The power outlet panel surface and pedestal units shall have NEMA Type 3R rainproof enclosures.

## Ease of Installation

Panels shall ship from the factory completely assembled, prewired with 100 percent copper wire, and tested in accordance with UL Standard 231. The door shall swing up and open for user convenience and ease of access to breakers and receptacles. When required, a means for securing the door in the open position shall be provided. Panels shall be bottom fed through knockouts in endwall or top fed using a bolt-on raintight hub. Knockouts shall range from 1/2-inch (12.7 mm) to 1-1/2 inches (38.1 mm). Grounding provisions (#4–14 Cu/Al) shall be provided on all panels.

**Application Description**

POPs are also sometimes called temporary power panels, temporary site service equipment or RV panels.

**Construction Site Application**

When POPs are used at a construction site, they are installed on a temporary basis until permanent electrical power is available at the building. The most common reason for needing a POP at a construction site is to provide a power source for the contractor's tools.



*Construction Site Application*

**RV Park Applications**

When POPs are used at an RV park, they are installed for more permanent use and serve the purpose of providing power to the recreational vehicles. Many RV parks now supply customers with amenities such as lighted POPs with TV and telephone jacks.



*RV Park Application*

**Service Applications**

Suitable for use as temporary Service Entrance Equipment, temporary power service equipment and recreational vehicle site supply.

**Features and Benefits**

- Designed for outdoor service to meet power outlet requirements
- Receptacles conform to NEMA and/or ANSI configurations as specified by the National Electrical Code® (NEC)
- Includes a factory-installed insulated neutral bar with provisions for bonding when used for temporary service entrance applications
- 125A rated meter socket
- Temporary power and RV park POPs are CSA listed. Compact POP and single receptacle devices are not CSA listed

**Designed for Easy Installation and Protection**

- Panels come from the factory completely assembled, prewired with 100 percent copper wire and tested...ready for easy installation
- Door swings up and open for user convenience and ease of access to breakers and receptacles
- Panels can be bottom fed through knockouts in the endwall or top fed using a bolt-on raintight hub
- Two-piece deadfront cover allows field wiring without interfering with factory wiring
- Lower deadfront cover permits easy field wiring to circuit protective devices
- Available GFI (ground fault interrupter) single- and two-pole protection through 50A

**Two Styles to Meet Your Power Outlet Needs**

- **Surface mount:** User mounts unit to a post
- **Pedestal mount:** User mounts with an underground pedestal extension or pad-mounting bracket. (Underground pedestal extension and pad-mounting bracket are sold separately. See accessories **Page 291** for part numbers and options)



*Compact Design Available in Certain Configurations for Added Convenience*

**Standards and Certifications**

- UL Standard 231
- UL File Number E163588

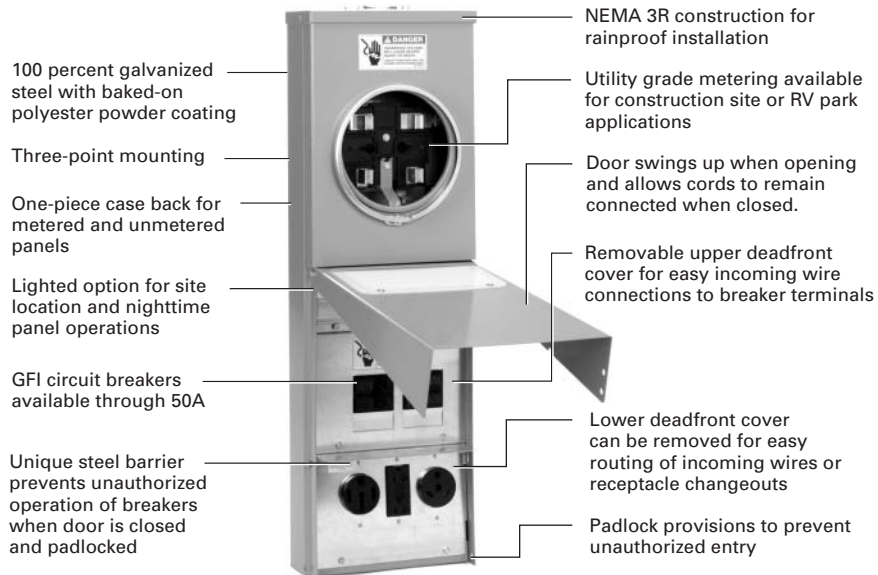
Receptacles conform to NEMA and/or ANSI configurations as specified by the NEC.

**Standard Compliance**

All power outlet panels for temporary construction site power and RV (recreational vehicle) application shall be UL listed for the U.S. per UL Standard 231, File E163588. Receptacles shall conform to NEMA and/or ANSI configurations as specified by the National Electrical Code (NEC).

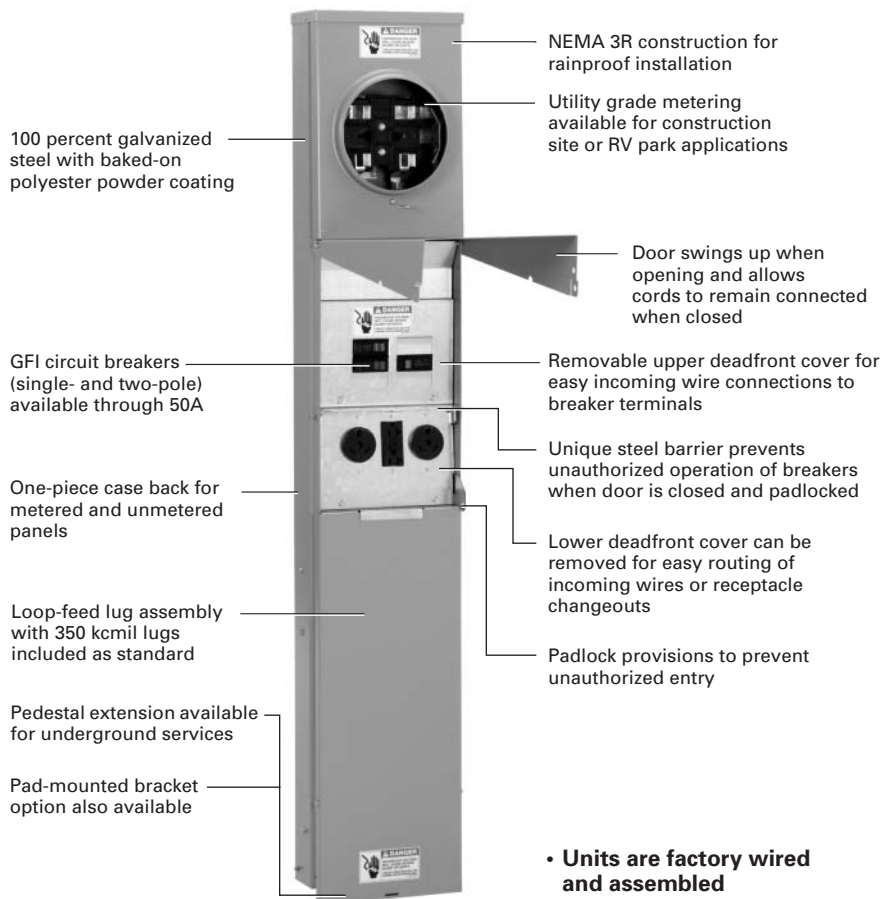


**Surface Units**



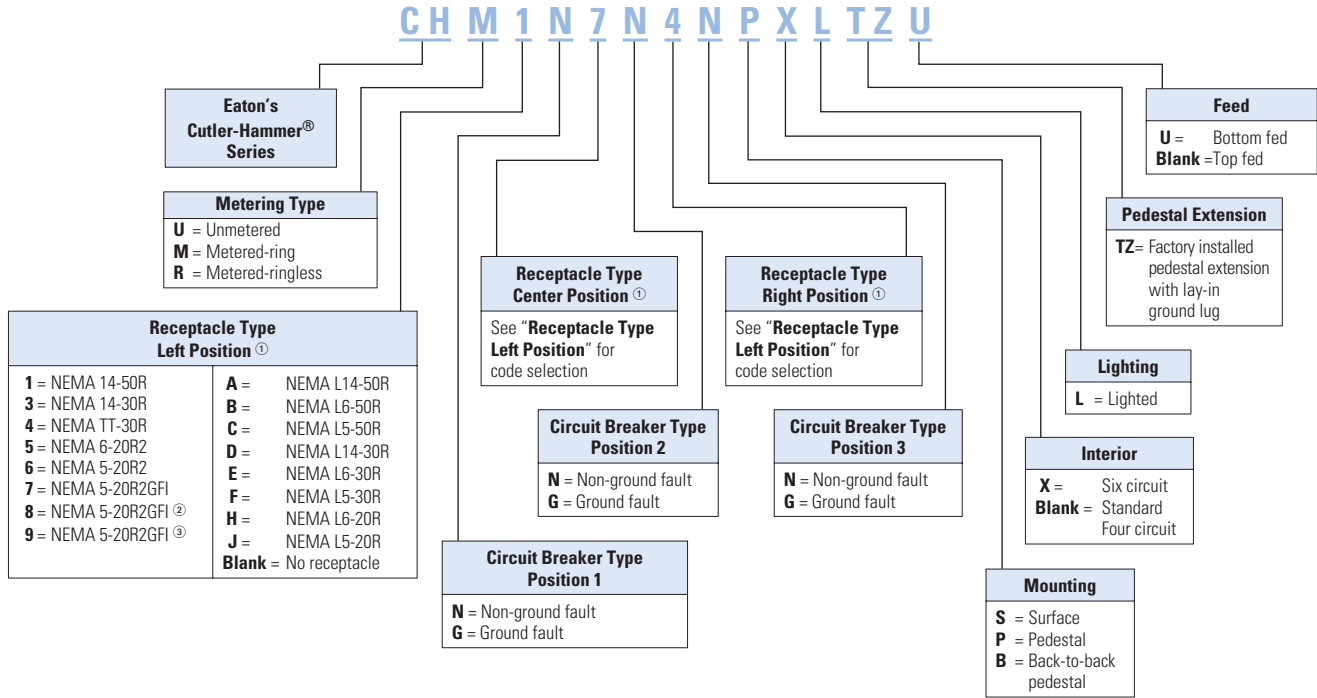
- Metered units available with meter on top or on bottom
- Units are factory wired and assembled

**Pedestal Units**



- Units are factory wired and assembled

#### Catalog Number Selection



#### Notes

- ① For receptacle configurations, see **table below**.
- ② Weather-resistant.
- ③ Weather-resistant/tamper resistant.

#### Receptacle Configuration

<b>1</b> 50A, 125/250V, three-pole, four-wire, <b>NEMA 14-50R</b> Two-pole, 50A breaker	<b>5</b> 20A, 250V, two-pole, three-wire, <b>NEMA 6-20R2</b> Two-pole, 20A breaker	<b>8</b> 20A, 125V, two-pole, three-wire, weather-resistant (WR), <b>NEMA 5-20R2GFI</b>
<b>3</b> 30A, 125/250V, three-pole, four-wire, <b>NEMA 14-30R</b> Two-pole, 30A breaker	<b>6</b> 20A, 125V, two-pole, three-wire, <b>NEMA 5-20R2</b> Single-pole, 20A breaker	<b>9</b> 20A, 125V, two-pole, three-wire, weather-resistant/tamper-resistant (WR TR), <b>NEMA 5-20R2GFI</b>
<b>4</b> 30A, 125V, two-pole, three-wire, <b>NEMA TT-30R</b> Single-pole, 30A breaker	<b>7</b> 20A, 125V, two-pole, three-wire, <b>NEMA 5-20R2GFI</b> Single-pole, 20A breaker	

#### Twist-Lock and Custom Receptacle/Breaker Combinations

<b>A</b> 50A, 125/250V, three-pole, three-wire, <b>NEMA L14-50R</b> Two-pole, 50A breaker	<b>D</b> 30A, 125/250V, three-pole, four-wire, <b>NEMA L14-30R</b> Two-pole, 30A breaker	<b>H</b> 20A, 250V, two-pole, three-wire, <b>NEMA L6-20R</b> Two-pole, 20A breaker
<b>B</b> 50A, 250V, two-pole, three-wire, <b>NEMA L6-50R</b> Two-pole, 50A breaker	<b>E</b> 30A, 250V, two-pole, three-wire, <b>NEMA L6-30R</b> Two-pole, 30A breaker	<b>J</b> 20A, 125V, two-pole, three-wire, <b>NEMA L5-20R</b> Single-pole, 20A breaker
<b>C</b> 50A, 125V, two-pole, three-wire, <b>NEMA L5-50R</b> Single-pole, 50A breaker	<b>F</b> 30A, 125V, two-pole, three-wire, <b>NEMA L5-30R</b> Single-pole, 30A breaker	



**Product Selection**

When quoting or selecting a power outlet panel, the following questions should be answered:

- Unmetered, ring or ringless style
- Number and types of receptacles (seven standard and eight twist-lock options)
- Standard or ground fault breakers
- Surface, pedestal or back-to-back mounting
- Are any factory or field options required?

**Power Outlet Panel Receptacle Configuration Rules**

**Four Receptacles/Unit**

All receptacles must be NEMA 5-20R2 or NEMA 5-20R2GFI, surface mount only.

**Three Receptacles/Unit**

- One or more of the receptacles must be NEMA 6-20R2, NEMA 5-20R2 or NEMA 5-20R2GFI
- NEMA 6-20R2, NEMA 5-20R2, or NEMA 5-20R2GFI must go in the second position

- If two receptacles consist of types NEMA 14-50R, NEMA 10-50R, NEMA 14-30R or NEMA 6-20R2 a six-circuit interior must be added

• Example:  
**CHUIN5N2NSX**






**Note:** Configuration 1 and 2 were chosen so a six-circuit interior needs to be added (suffix X) to the end of the catalog number. Also, configuration 5 is in the second position.

**Two, One and Zero Receptacles/Unit**

Any configuration.







**Accessories**

**Accessories**

	Description	Catalog Number
<b>Underground Pedestal Extension</b> 	Underground pedestal extension	CHPEEXT
	Stainless steel underground pedestal extension	CHPEEXTSS
<b>Pad-Mount Bracket</b> 	Pad-mount bracket	CHPAEXT
<b>Cable TV/Telephone Bracket</b> 	Cable TV and telephone bracket	CHTELV
<b>DS Hub</b> 	Rainproof conduit hub 0.75 inch (19.1 mm)	DS075H1
	Rainproof conduit hub 1.00 inch (25.4 mm)	DS100H1
	Rainproof conduit hub 1.25 inch (31.8 mm)	DS125H1
	Rainproof conduit hub 1.50 inch (38.1 mm)	DS150H1
<b>Fluorescent Light Kit</b> 	<b>Fluorescent Light Kit</b> Converts power outlet panel to lighted unit, <b>must also order</b> CHOUTCVRL	Catalog Number CHFLGKIT





#### Renewal Parts

#### Renewal Parts

	Description	Catalog Number
<b>Circuit Breaker (BR/GFCB)</b> 	See this volume, Tab 1, section 1.2	—
<b>Meter Socket</b> 	Ring style replacement meter socket Ringless style replacement meter socket 5th jaw kit Horn bypass (one lug cap per kit; four kits required per device)	<b>CHPOPMSRING</b> <b>CHPOPMSRL</b> <b>ARP00035CHJ</b> <b>ARP00777CH</b>
<b>Bonding Strap and Mounting Hardware</b> 	Bonding strap and mounting hardware	<b>CHBONDST</b>
<b>Inner Lens</b> 	Inner lens for lighted power outlet panels	<b>CHINLENS</b>
<b>Loop Feed Lug Assembly</b> 	Loop feed lug assembly for single pedestal Loop feed lug assembly for back-to-back pedestal	<b>CHLOOPFDP</b> <b>CHLOOPFDB</b>
<b>Lower Deadfront Cover</b> 	Blank lower deadfront cover Lower deadfront cover with duplex receptacle opening Lower deadfront cover with duplex, duplex receptacle opening Lower deadfront cover with duplex, duplex, duplex receptacle opening Lower deadfront cover with rectangle receptacle opening Lower deadfront cover with rectangle, rectangle receptacle opening Lower deadfront cover with rectangle, rectangle, rectangle receptacle opening Lower deadfront cover with duplex, rectangle receptacle opening Lower deadfront cover with duplex, rectangle, duplex receptacle opening Lower deadfront cover with rectangle, rectangle, duplex receptacle opening Lower deadfront cover with round receptacle opening Lower deadfront cover with round, round receptacle opening Lower deadfront cover with round, duplex receptacle opening	<b>CHLDFCVR</b> <b>CHLDFCVR1</b> <b>CHLDFCVR2</b> <b>CHLDFCVR3</b> <b>CHLDFCVR4</b> <b>CHLDFCVR5</b> <b>CHLDFCVR6</b> <b>CHLDFCVR7</b> <b>CHLDFCVR8</b> <b>CHLDFCVR9</b> <b>CHLDFCVR10</b> <b>CHLDFCVR11</b> <b>CHLDFCVR12</b>



## Renewal Parts, continued

	Description	Catalog Number
	Lower deadfront cover with round, duplex, duplex receptacle opening	CHLDFCVR13
	Lower deadfront cover with round, duplex, round receptacle opening	CHLDFCVR14
	Lower deadfront cover with round, rectangle receptacle opening	CHLDFCVR15
	Lower deadfront cover with round, rectangle, rectangle receptacle opening	CHLDFCVR16
	Lower deadfront cover with round, rectangle, round receptacle opening	CHLDFCVR17
	Lower deadfront cover with round, rectangle, duplex receptacle opening	CHLDFCVR18
<b>Upper Deadfront Cover</b> 	Upper deadfront cover with six breaker twistouts	CHUDFCVR
	Upper deadfront cover with provisions for lighted option	CHUDFCVRL
<b>Outer Door</b> 	Outer door	CHOUTCVR
<b>Outer Door with Lens</b> 	Outer door with lens	CHOUTCVRL
<b>Neutral Assemblies</b> 	Six-hole neutral assembly with 2/0 lug	CHNEUT
	Seven-hole neutral assembly with 2/0 lug	CHNEUT1
	Five-hole ground bar kit	GBK5
	10-hole ground bar kit	GBK10
<b>Replacement Meter Cover</b>		
	Replacement meter cover—ring type	CHPOPRMC
	Replacement meter cover—ringless	CHPOPRLMC
	Replacement meter cover—ringless	CHPOPRLMCN
	Replacement meter cover—ringless	CHPOPRLMCN2

#### Power Outlet Panels



#### Contents

<i>Description</i>	<i>Page</i>
Product Overview .....	287
Surface Units	
Dimensions .....	297
Pedestal Units .....	300

### Surface Units

#### Product Overview

A power outlet panel (or POP) is a device designed for outdoor service to meet temporary power requirements at construction sites and recreation vehicle (RV) parks. POPs provide a safe and reliable means for users to access electricity at such locations.

#### Product Selection

##### **Power Outlet Panel Receptacle Configuration Rules**

See **Page 292** for complete list. For 100A Main Breaker, contact the Flex Center (1-800-330-6479).

##### **Four Receptacles/Unit**

All receptacles must be NEMA 5-20R2 and/or NEMA 5-20R2GFI, surface mount only.

##### **Three Receptacles/Unit**

- One or more of the receptacles must be NEMA 6-20R2, NEMA 5-20R2 or NEMA 5-20R2GFI
- NEMA 6-20R2, NEMA 5-20R2, or NEMA 5-20R2GFI must go in the second position
- If two receptacles consist of types NEMA 14-50R, NEMA 10-50R, NEMA 14-30R or NEMA 6-20R2 a six-circuit interior must be added
  - Example:  
**CHUIN5N2NSX**

**Note:** Configuration 1 and 2 were chosen so a six-circuit interior needs to be added (suffix X) to the end of the catalog number. Also, configuration 5 is in the second position.

##### **Two, One and Zero Receptacles/Unit**

Any configuration.

##### **Options**

- Six-circuit interior
- Factory-mounted pedestal extension
- Lighted
- Bottom fed

Surface Type

Ampere Series	Receptacle Description			Breaker Description			Catalog Number	
	Position	Left	Center	Right	1st	2nd		3rd
<b>Single Receptacle CHU4S</b>								
<b>Unmetered Single Receptacle</b>								
50	—	14-50R	—	—	No breaker	No breaker	No breaker	<b>CHU1S</b>
30	—	14-30 R	—	—	No breaker	No breaker	No breaker	<b>CHU3S</b>
30	—	TT-30R	—	—	No breaker	No breaker	No breaker	<b>CHU4S</b>
20	—	6-20R2	—	—	No breaker	No breaker	No breaker	<b>CHU5S</b>
20	—	5-20R2	—	—	No breaker	No breaker	No breaker	<b>CHU6S</b>
20	—	5-20R2GFI	—	—	No breaker	No breaker	No breaker	<b>CHU7S</b>
<b>Unmetered Type CHU1N7N4NS</b>								
<b>Unmetered</b>								
20/20/20	5-20R2	5-20R2	6-20R2	—	GFI	GFI	GFI	<b>CHU6G6G5GS</b>
20/20/20	5-20R2GFI	5-20R2GFI	6-20R2	—	Non-GFI	Non-GFI	Non-GFI	<b>CHU7N7N5NS</b>
20/20/20	5-20R2GFI	5-20R2GFI	6-20R2	—	Non-GFI	Non-GFI	GFI	<b>CHU7N7N5GS</b>
50/20/30	14-50R	5-20R2GFI	TT-30R	—	Non-GFI	Non-GFI	Non-GFI	<b>CHU1N7N4NS</b>
50/20/30	14-50R	5-20R2GFI	6-20R	—	GFI	Non-GFI	Non-GFI	<b>CHU1G7N7NS</b>
50/20	14-50R	5-20RGFI	—	—	GFI	Non-GFI	—	<b>CHU1G7NS</b>
50/20	14-50R	5-20RGFI	—	—	Non-GFI	Non-GFI	—	<b>CHU1N7NS</b>
50/20/50	14-50R	5-20R2GFI	14-50R	—	Non-GFI	Non-GFI	Non-GFI	<b>CHU1N7N1NSX</b> ①
30/30/20	TT-30R	5-20R2GFI	TT-30R	—	Non-GFI	Non-GFI	Non-GFI	<b>CHU4N7N4NS</b>
20/20/20	5-20R2	5-20R2	6-20R2	—	GFI	GFI	GFI	<b>CHU6G6G5GS60M</b> ②
<b>Unmetered (Compact Version)</b>								
50	14-50R	—	—	—	Non-GFI	—	—	<b>CHU1NS</b>
20	5-20R2	—	—	—	Non-GFI	—	—	<b>CHU2NS</b>
30	TT-30R	—	—	—	GFI	—	—	<b>CHU4GS</b>
30/30	TT-30R	TT-30R	—	—	Non-GFI	Non-GFI	—	<b>CHU4N4NS</b>
30/20	TT-30R	5-20R2	—	—	Non-GFI	Non-GFI	—	<b>CHU4N6NS</b>
30/20	TT-30R	5-20R2GFI	—	—	Non-GFI	Non-GFI	—	<b>CHU4N7NS</b>
30	TT-30R	—	—	—	Non-GFI	—	—	<b>CHU4NS</b>
20	6-20R2	—	—	—	GFI	—	—	<b>CHU5GS</b>
20/20	5-20R2	5-20R2	—	—	GFI	GFI	—	<b>CHU6G6GS</b>
20	5-20R2	—	—	—	GFI	—	—	<b>CHU6GS</b>
20/20	5-20R2	5-20R2	—	—	Non-GFI	Non-GFI	—	<b>CHU6N6NS</b>
20	5-20R2	—	—	—	Non-GFI	—	—	<b>CHU6NS</b>
20/20	5-20R2GFI	5-20R2GFI	—	—	Non-GFI	Non-GFI	—	<b>CHU7N7NS</b>
20	5-20R2GFI	—	—	—	Non-GFI	—	—	<b>CHU7NS</b>

Notes

① The "X" suffix indicates that a six circuit interior is provided, instead of the standard four circuit interior.

② Includes 60A two-pole main breaker for service disconnect ratings.

Contact your local Eaton sales office for configurations not listed.

#### Surface Type, continued

Ampere Series	Receptacle Description			Breaker Description			Catalog Number
	Position Left	Center	Right	1st	2nd	3rd	
<b>Metered Ring</b>							
50/20/20	14-50R	5-20R2GFI	5-20R2GFI	GFI	Non-GFI	Non-GFI	<b>CHM1G7N7NS</b>
20/20	5-20R2GFI	5-20R2GFI	—	Non-GFI	Non-GFI	—	<b>CHM7N7NS</b>
20/20/20	5-20R2GFI	5-20R2GFI	6-20R2	Non-GFI	Non-GFI	GFI	<b>CHM7N7N5GS</b>
20/20/20	5-20R2GFI	5-20R2GFI	6-20R2	Non-GFI	Non-GFI	Non-GFI	<b>CHM7N7N5NS</b>
50/30/20	14-50R	5-20R2GFI	TT-30R	Non-GFI	Non-GFI	Non-GFI	<b>CHM1N7N4NS</b>
50/20	14-50R	5-20R2GFI	—	Non-GFI	Non-GFI	—	<b>CHM1N7NS</b>
20/20	6-20R2	5-20R2GFI	—	Non-GFI	Non-GFI	Non-GFI	<b>CHM5N7NS</b>
<b>Metered—Ringless</b>							
50/20	14-50R	5-20R2GFI	—	GFI	Non-GFI	—	<b>CHR1G7NS</b>
20/20	5-20R2GFI	5-20R2GFI	—	Non-GFI	Non-GFI	—	<b>CHR7N7NS</b>
50/20/20	14-50R	5-20R2GFI	5-20R2GFI	GFI	Non-GFI	Non-GFI	<b>CHR1G7N7NS</b>
50/20	14-50R	5-20R2GFI	—	Non-GFI	Non-GFI	—	<b>CHR1N7NS</b>
20/20/20	5-20R2GFI	5-20R2GFI	5-20R2GFI	Non-GFI	Non-GFI	Non-GFI	<b>CHR7N7N7NS</b>
30/20/20	14-30R	5-20R2GFI	5-20R2GFI	Non-GFI	Non-GFI	Non-GFI	<b>CHR3N7N7NS</b>
50/30/20	14-50R	5-20R2GFI	TT-30R	Non-GFI	Non-GFI	Non-GFI	<b>CHR1N7N4NS</b>
<b>Metered—Ring—Bottom Fed</b>							
20/20	5-20R2GFI	5-20R2GFI	—	Non-GFI	Non-GFI	—	<b>CHM7N7NSU</b>
20/20/20	5-20R2GFI	5-20R2GFI	6-20R2	Non-GFI	Non-GFI	GFI	<b>CHM7N7N5GSU</b>
50/20/20	14-50R	5-20R2GFI	5-20R2GFI	GFI	Non-GFI	Non-GFI	<b>CHM1G7N7NSU</b>
<b>Metered—Ringless—Bottom Fed</b>							
20/20	5-20R2GFI	5-20R2GFI	—	Non-GFI	Non-GFI	—	<b>CHR7N7NSU</b>
50/20	14-50R	5-20R2GFI	—	GFI	Non-GFI	—	<b>CHR1G7NSU</b>
50/20	10-50R	5-20R2GFI	—	GFI	Non-GFI	—	<b>CHR2G7NSU</b>
20/20/20	5-20R2GFI	5-20R2GFI	6-20R2	Non-GFI	Non-GFI	GFI	<b>CHR7N7N5GSU</b>
20/20/20	5-20R2GFI	5-20R2GFI	6-20R2	Non-GFI	Non-GFI	Non-GFI	<b>CHR7N7N5NSU</b>
20/20/20	5-20R2GFI	5-20R2GFI	5-20R2GFI	Non-GFI	Non-GFI	Non-GFI	<b>CHR7N7N7NSU</b>
30/20/20	14-30R	5-20R2GFI	5-20R2GFI	Non-GFI	Non-GFI	Non-GFI	<b>CHR3N7N7NSU</b>
30/20/20	14-30R	5-20R2GFI	5-20R2GFI	GFI	Non-GFI	Non-GFI	<b>CHR3G7N7NSU</b>
50/20/20	14-50R	5-20R2GFI	5-20R2GFI	GFI	Non-GFI	Non-GFI	<b>CHR1G7N7NSU</b>
50/20/30	14-50R	5-20R2GFI	TT-30R	Non-GFI	Non-GFI	Non-GFI	<b>CHR1N7N4NSU</b>

Metered Ring  
CHM1G7NS



Metered Ringless Type  
CHR4N7NS



Metered Ring or  
Ringless Type  
Bottom Feed



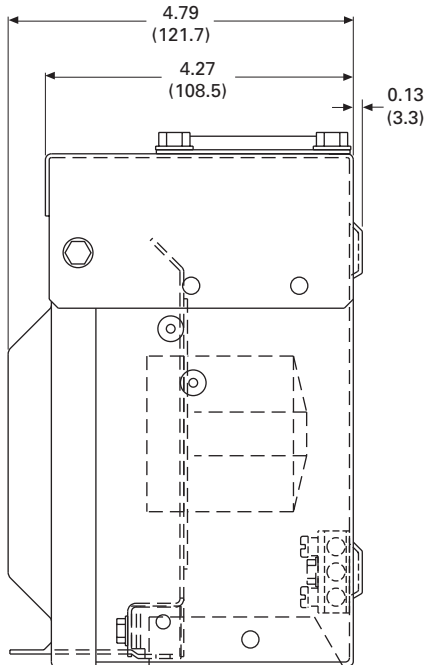
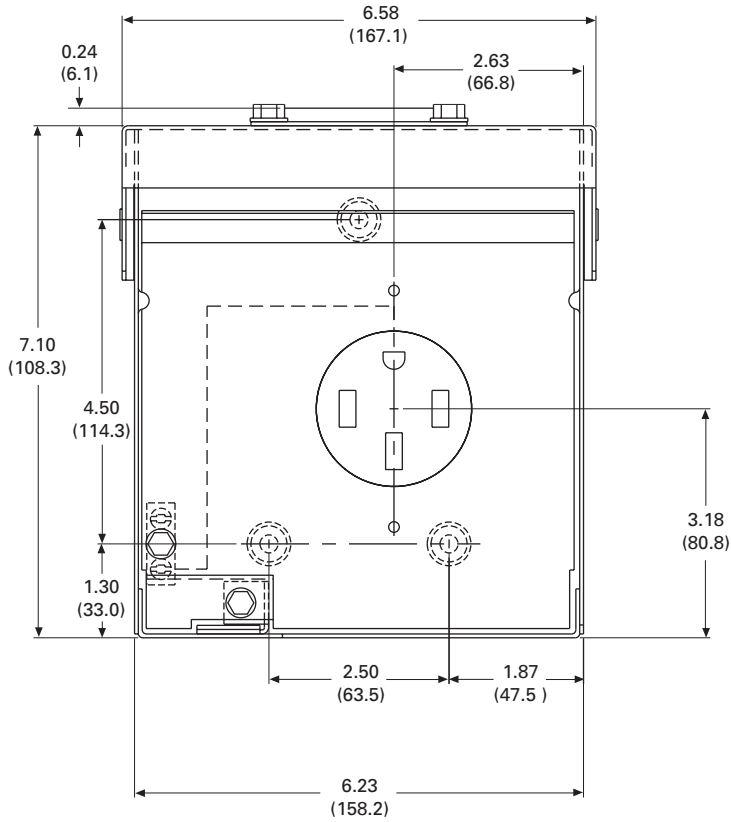
#### Accessories

See **Page 291**.

**Dimensions**

Approximate Dimensions in Inches (mm)

**Single Receptacle**



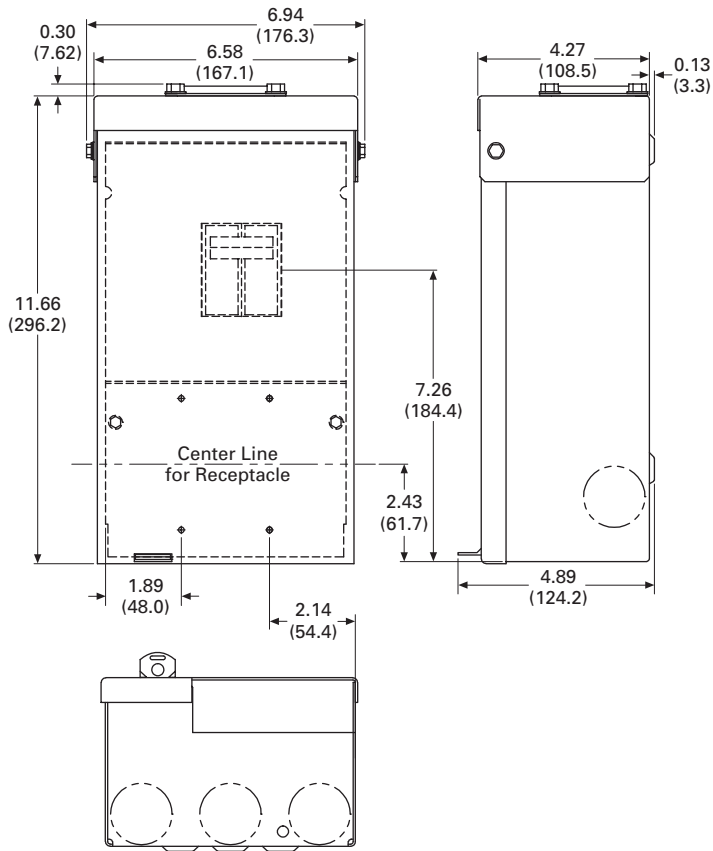
# 6.2

## Power Pedestals

### Temporary Power/RV Park

Approximate Dimensions in Inches (mm)

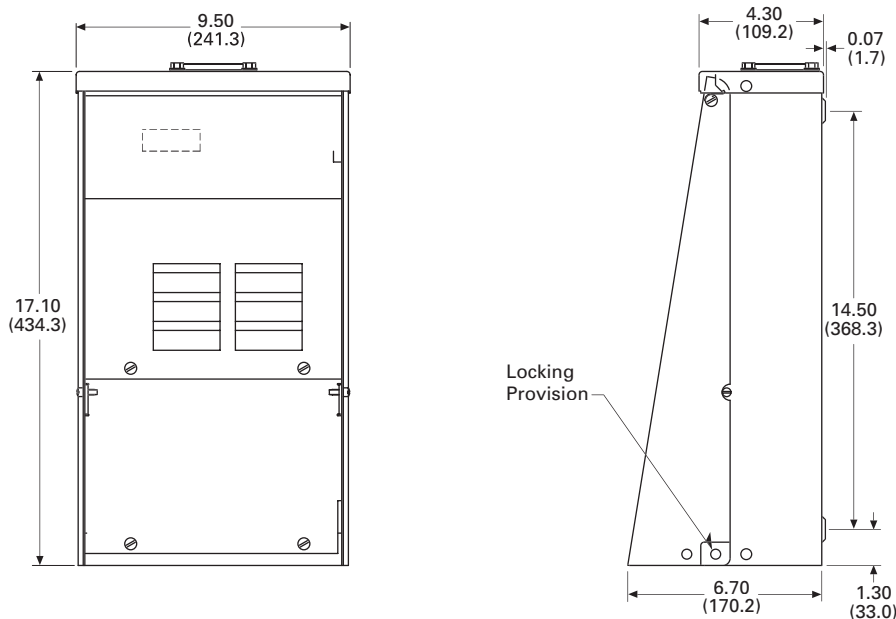
#### Compact Design Option



6

#### Unmetered Units

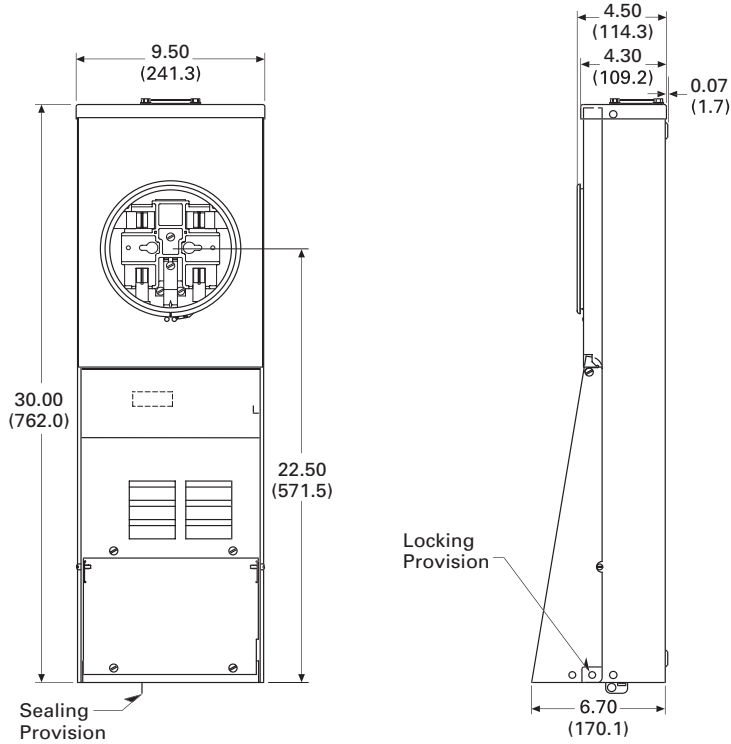
#### Unmetered Surface Type



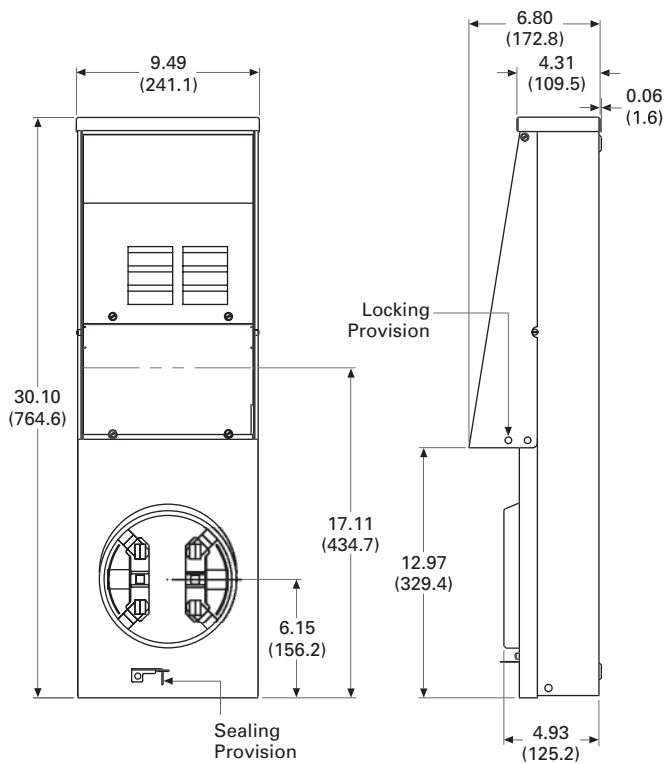
Approximate Dimensions in Inches (mm)

**Metered Units (Ring and Ringless)**

**Metered Surface Type**



**Bottom Fed Type**





#### Power Outlet Panels



6

### Pedestal Units

#### Product Overview

A power outlet panel (or POP) is a device designed for outdoor service to meet temporary power requirements at construction sites and recreation vehicle (RV) parks. POPs provide a safe and reliable means for users to access electricity at such locations.

#### Product Selection

##### Power Outlet Panel Receptacle Configuration Rules

See **Page 292** for complete list. For 100A Main Breaker, contact the Flex Center (1-800-330-6479).

##### Four Receptacles/Unit

All receptacles must be NEMA 5-20R2 and/or NEMA 5-20R2GFI, surface mount only.

### Contents

<i>Description</i>	<i>Page</i>
Product Overview .....	287
Surface Units .....	294
Pedestal Units .....	300
Dimensions .....	302

##### Three Receptacles/Unit

- One or more of the receptacles must be NEMA 6-20R2, NEMA 5-20R2 or NEMA 5-20R2GFI
- NEMA 6-20R2, NEMA 5-20R2, or NEMA 5-20R2GFI must go in the second position
- If two receptacles consist of types NEMA 14-50R, NEMA 10-50R, NEMA 14-30R or NEMA 6-20R2 a six-circuit interior must be added
  - Example:  
**CHUIN5N2NSX**

**Note:** Configuration 1 and 2 were chosen so a six-circuit interior needs to be added (suffix X) to the end of the catalog number. Also, configuration 5 is in the second position.

##### Two, One and Zero Receptacles/Unit

Any configuration.

##### Options

- Six-circuit interior
- Factory-mounted pedestal extension
- Lighted
- Bottom fed

Unmetered Type

Pedestal Type



CHM1N7N4NPTZ



Ampere Series	Receptacle Description			Breaker Description			Catalog Number
	Position	Left	Center	Right	1st	2nd	
<b>Unmetered</b>							
50/30/20	14-50R	5-20R2GFI	TT-30R	Non-GFI	Non-GFI	Non-GFI	CHU1N7N4NP
30/20	TT-30R	5-20R2GFI	—	Non-GFI	Non-GFI	—	CHU4N7NP
50/30/20	14-50R	5-20R2GFI	TT-30R	Non-GFI	Non-GFI	Non-GFI	CHU1N7N4NPTZ
30/30/20	TT-30R	5-20R2GFI	TT-30R	Non-GFI	Non-GFI	Non-GFI	CHU4N7N4NP
30/20	TT-30R	5-20R2GFI	—	Non-GFI	Non-GFI	—	CHU4N7NPTZ
<b>Metered—Ring</b>							
50/30/20	14-50R	5-20R2GFI	TT-30R	Non-GFI	Non-GFI	Non-GFI	CHM1N7N4NP
50/20	14-50R	5-20R2GFI	—	Non-GFI	Non-GFI	—	CHM1N7NP
50/30/20	14-50R	5-20R2GFI	TT-30R	Non-GFI	Non-GFI	Non-GFI	CHM1N7N4NPTZ
30/20	TT-30R	5-20R2GFI	—	Non-GFI	Non-GFI	—	CHM4N7NPTZ
<b>Metered—Ringless</b>							
50/30/20	14-50R	5-20R2GFI	TT-30R	Non-GFI	Non-GFI	Non-GFI	CHR1N7N4NP
50/20/50	14-50R	5-20R2GFI	14-50R	Non-GFI	Non-GFI	Non-GFI	CHR1N7N1NPX
50/20/30	14-50R	5-20R2GFI	14-30R	Non-GFI	Non-GFI	Non-GFI	CHR1N7N3NPX
50/20/30	14-50R	5-20R2	14-30R	Non-GFI	Ground fault	Non-GFI	CHR1N6G3NPX

CHU1N7N4NBTZ



Back-to-Back Pedestal Type

Ampere Series	Receptacle Description			Breaker Description			Catalog Number
	Position	Left	Center	Right	1st	2nd	
<b>Unmetered</b> ①							
30/30/20	TT-30R	5-20R2GFI	TT-30R	Non-GFI	Non-GFI	Non-GFI	CHU4N7N4NB
50/30/20	14-50R	5-20R2GFI	TT-30R	Non-GFI	Non-GFI	Non-GFI	CHU1N7N4NBTZ
<b>Metered—Ring</b> ①							
30/20	TT-30R	5-20R2GFI	—	Non-GFI	Non-GFI	—	CHM4N7NB
50/30/20	14-50R	5-20R2GFI	TT-30R	Non-GFI	Non-GFI	Non-GFI	CHM1N7N4NB
<b>Metered—Ringless</b> ①							
50/30/20	14-50R	5-20R2GFI	TT-30R	Non-GFI	Non-GFI	Non-GFI	CHR1N7N4NBTZ

Notes

① The pedestal back-to-back units have receptacles and circuit breakers as shown for each panel and share one common pedestal with loop feed lugs. Contact your local Eaton sales office for configurations not listed.

Accessories

See Page 291.

# 6.2

## Power Pedestals

### Temporary Power/RV Park

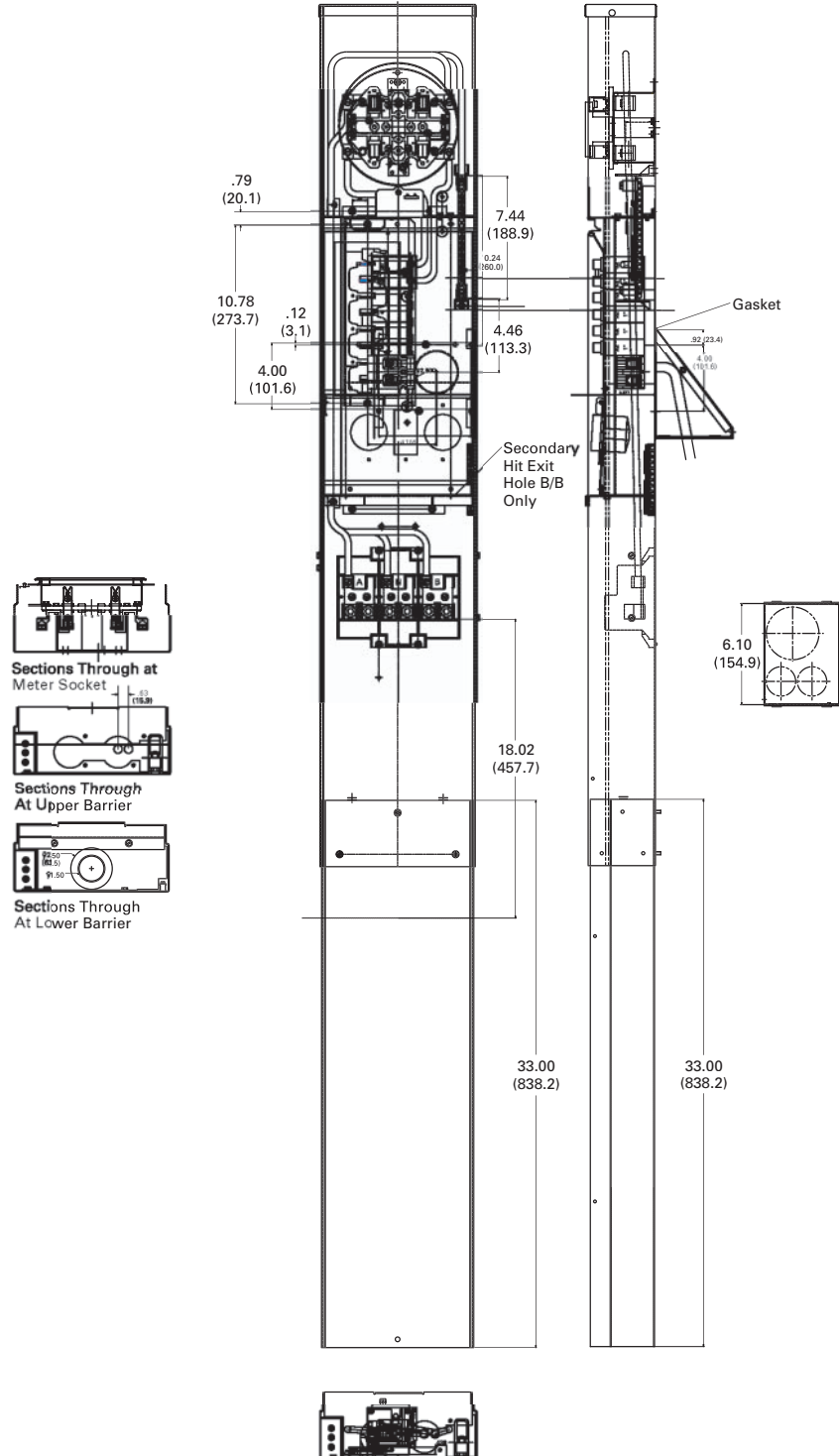
#### Dimensions

Approximate Dimensions in Inches (mm)

#### Metered Units

#### 100A Pedestal

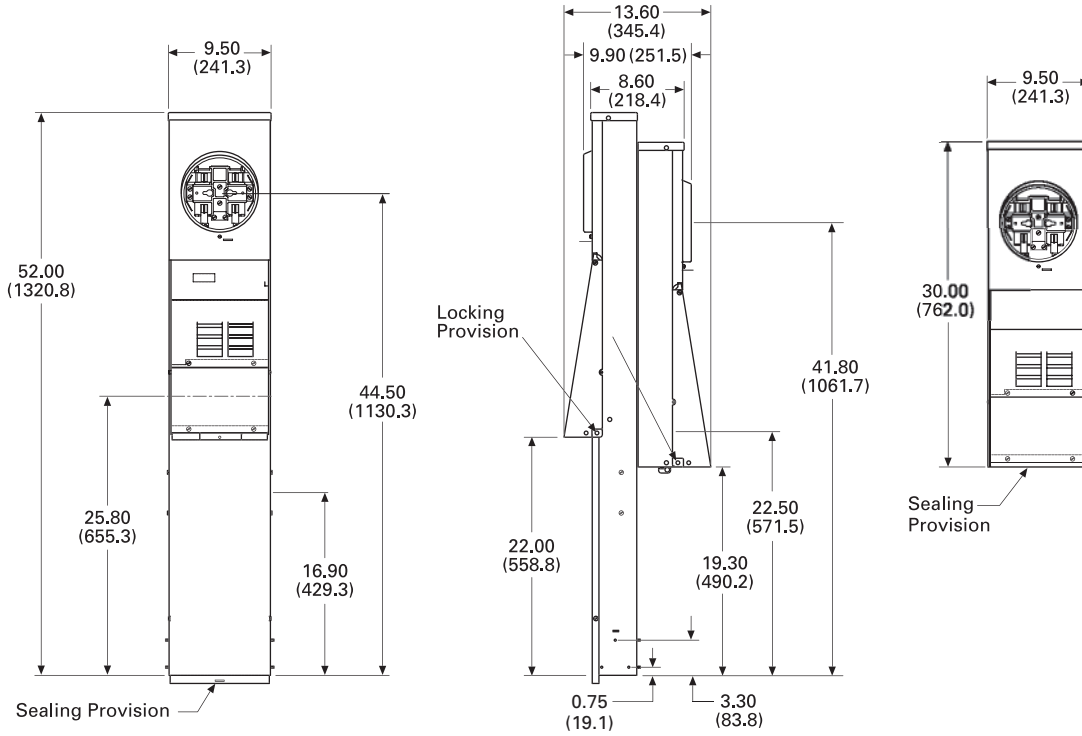
Ringless  
U.G. Feed Pedestal-Mount



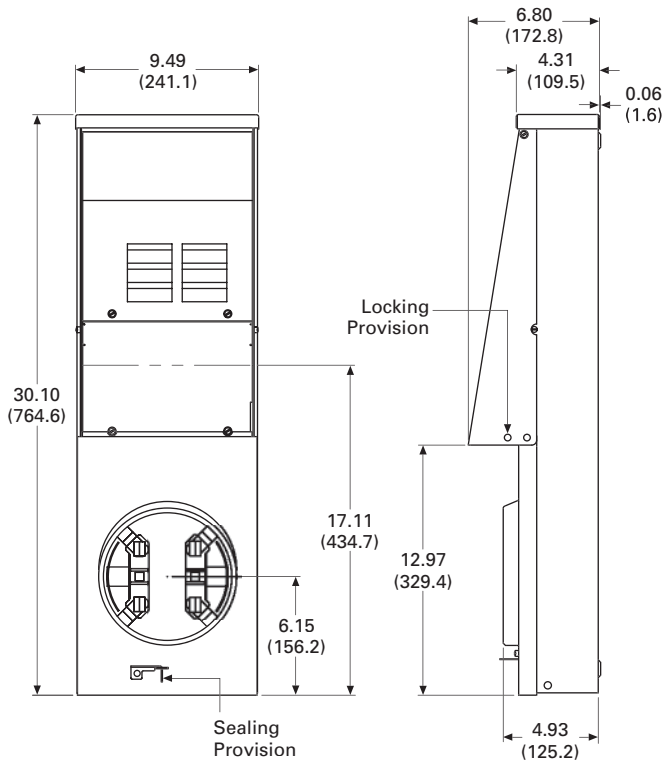
Approximate Dimensions in Inches (mm)

**Metered Units (Ring and Ringless)**

**Metered Back-to-Back Pedestal Type**



**Bottom Fed Type**



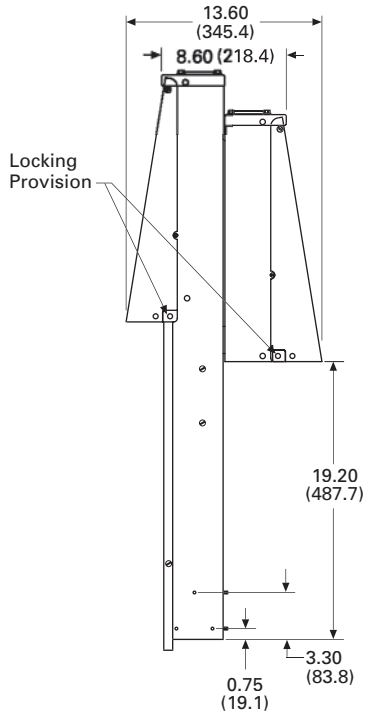
# 6.2

## Power Pedestals

### Temporary Power/RV Park

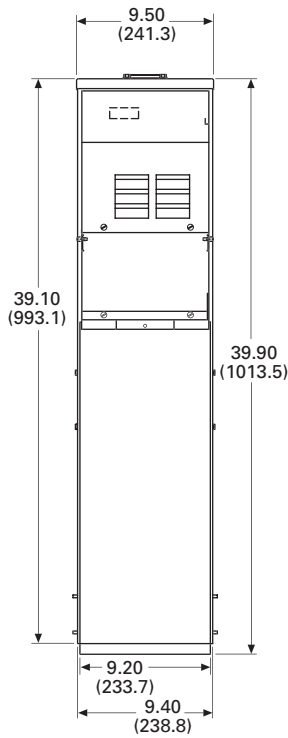
Approximate Dimensions in Inches (mm)

#### Unmetered Back-to-Back Pedestal Type

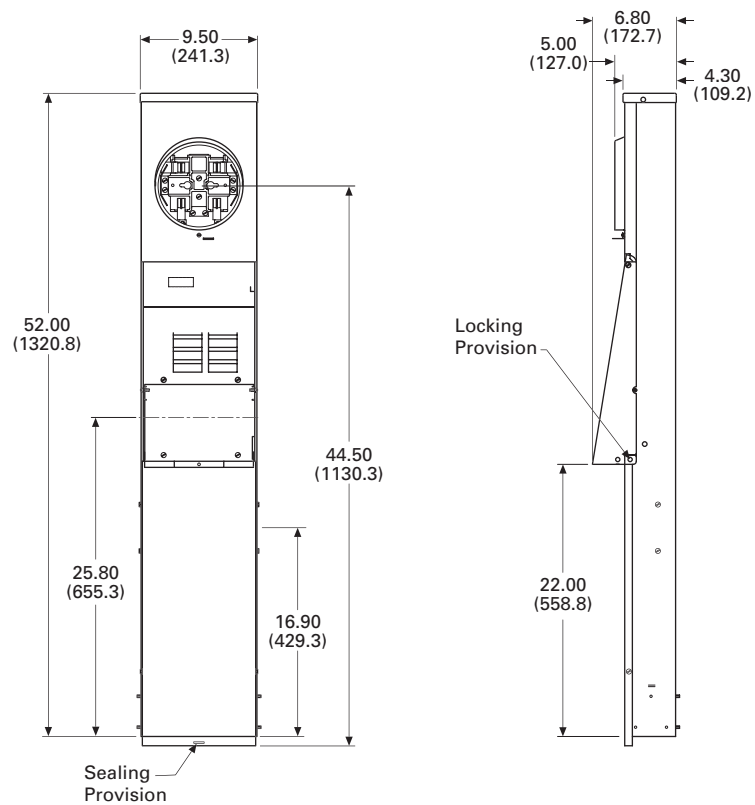


6

#### Unmetered Pedestal Type



#### Metered Pedestal Type



**Power Outlet Panels****Product Overview**

Eaton's versatile Mobile Home Panels have a user-friendly design that allows for a faster, cleaner installation.

100 and 200A panels come complete with the main breaker and a 4/8 or 8/16 interior, respectively. The 200A units are designed with ample width to ensure plenty of room for wire bending and an easier installation.

**Receptacle Deadfront Kits**

Optional receptacle deadfront kits enable the field installation of contractor supplied receptacles and breakers that can supply power for a variety of applications including:

- Visiting RVs
- Temporary power
- Lawn equipment
- Air compressors
- Anything else that requires cord-connected power

**Contents**

<b>Description</b>	<b>Page</b>
Mobile Home Panels	
Catalog Number Selection . . . . .	306
Product Selection . . . . .	306
Accessories . . . . .	307
Dimensions . . . . .	308

**Features****Fastenerless Socket Design**

- Eliminates overheating caused by loose socket connections

**Pedestal Unit**

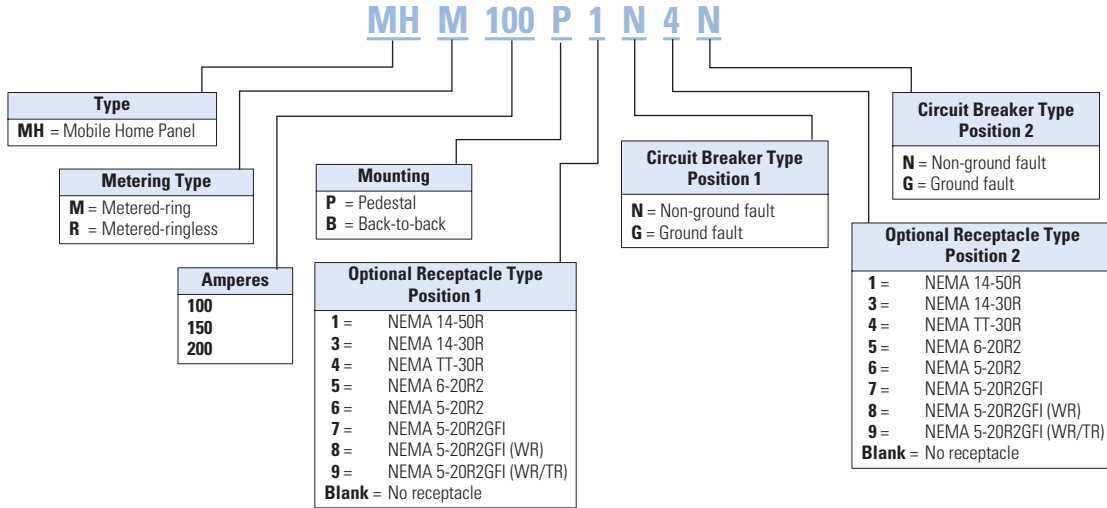
- Convenient and sturdy ground mounting
- Loop feed feature allows several units to be connected in series

**Easier, Better and Faster Installation**

- More wire bending and viewing room
- Additional circuits mean more flexibility

### Catalog Number Selection

#### Mobile Home Panels



### Product Selection

#### Mobile Home Panel



#### Mobile Home Panels <sup>Ⓢ</sup>

Amperes	Security	Interior	Main	Branch Breakers	Mounting	Receptacles	Catalog Number
100	Ring	4/8	<b>BR2100</b>	BR	Pedestal	None	<b>MHM100P</b>
100	Ring	4/8	<b>BR2100</b>	BR	Back-to-back	None	<b>MHM100B</b>
100	Ringless	4/8	<b>BR2100</b>	BR	Pedestal	None	<b>MHR100P</b>
100	Ringless	4/8	<b>BR2100</b>	BR	Back-to-back	None	<b>MHR100B</b>
150	Ring	8/16	<b>BWH2150</b>	BR	Pedestal	None	<b>MHM150P</b>
150	Ring	8/16	<b>BWH2150</b>	BR	Back-to-back	None	<b>MHM150B</b>
150	Ringless	8/16	<b>BWH2150</b>	BR	Pedestal	None	<b>MHR150P</b>
150	Ringless	8/16	<b>BWH2150</b>	BR	Back-to-back	None	<b>MHR150B</b>
200	Ring	8/16	<b>BWH2200</b>	BR	Pedestal	None	<b>MHM200P</b>
200	Ring	8/16	<b>BWH2200</b>	BR	Back-to-back	None	<b>MHM200B</b>
200	Ringless	8/16	<b>BWH2200</b>	BR	Pedestal	None	<b>MHR200P</b>
200	Ringless	8/16	<b>BWH2200</b>	BR	Back-to-back	None	<b>MHR200B</b>
200	Ringless	8/16	<b>BWH2200</b>	BR	Pedestal	Qty 1 14-50R Qty 2 TT-30R	<b>MHM200P1N4N4N</b>

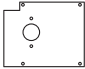
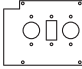
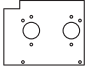
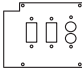
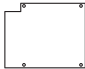
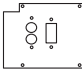
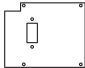
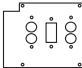
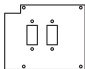
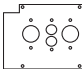
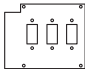
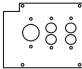
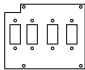
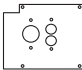
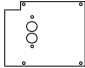
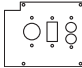
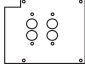
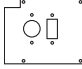
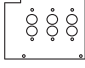
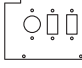
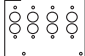
**Note**

<sup>Ⓢ</sup> Pedestal Extension included with Mobile Home Panels.



**Mobile Home Panel Deadfronts for 200A Units** ①

**Available Receptacle Deadfront Kits—Receptacles and Breakers Not Included**

MHDX		MHDXZX	
MHDXX		MHDZZY	
MHDBLANK		MHDYZ	
MHDZ		MHDYZY	
MHDZZ		MHDXYX	
MHDZZZ		MHDXY Y	
MHDZZZZ		MHDXY	
MHDY		MHDXZY	
MHDYY		MHDXZ	
MHDYYY		MHDXZZ	
MHDYYYY			

**Accessories**

**Mobile Home Panels**

Hubs not used on mobile home panels.

Description	Amperes	Catalog Number
Direct feed kit	—	MHDFK
Pedestal extension	200	MHPEEXT
Stainless steel pedestal extension	200	MHPEEXTSS
Padmount adapter	200	MHPAEXT
Pedestal extension	100	CHPEEXT100
Stainless steel pedestal extension	100	CHPEEXTSS100
Padmount adapter	100	CHPAEXT100

**Note**

① For 100A units, the accessory Catalog Number would be MHD1\_\_\_\_. For example, to order a deadfront to accept one 30A receptacle (round) in a 100 ampere device, the Catalog Number would be MHD1X.

# 6.3

## Power Pedestals

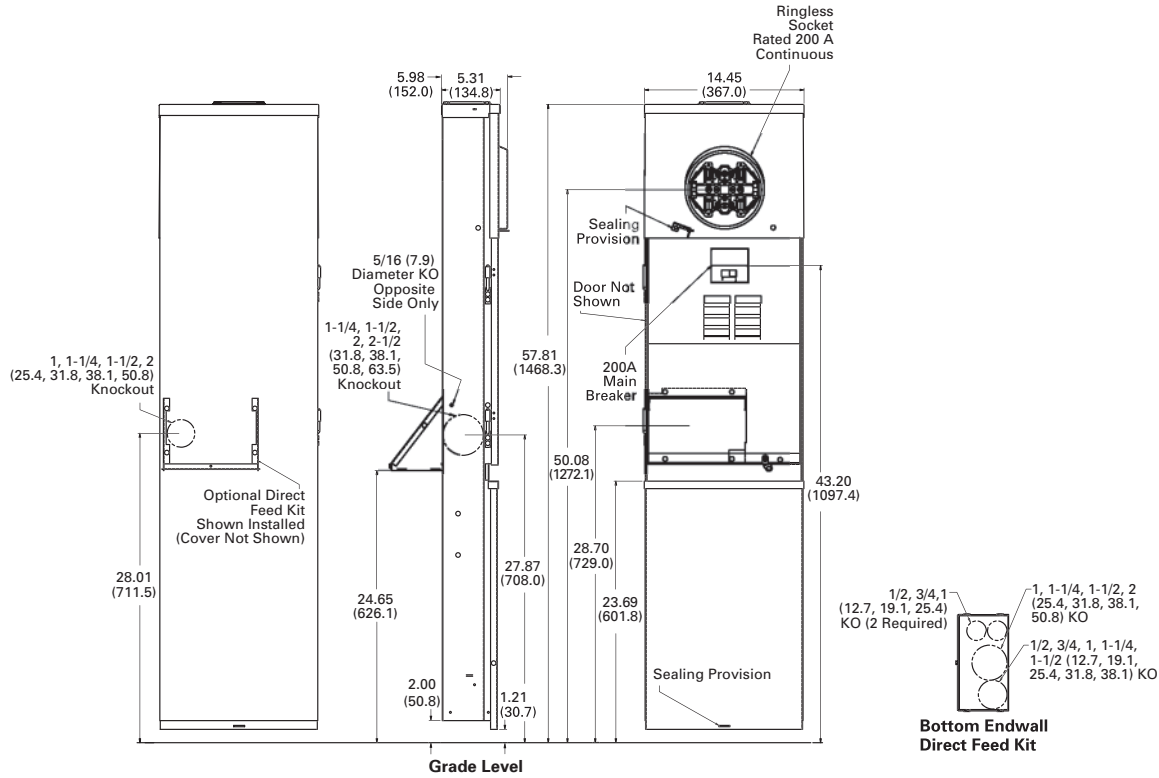
### Mobile Home Panels

#### Dimensions

Approximate Dimensions in Inches (mm)

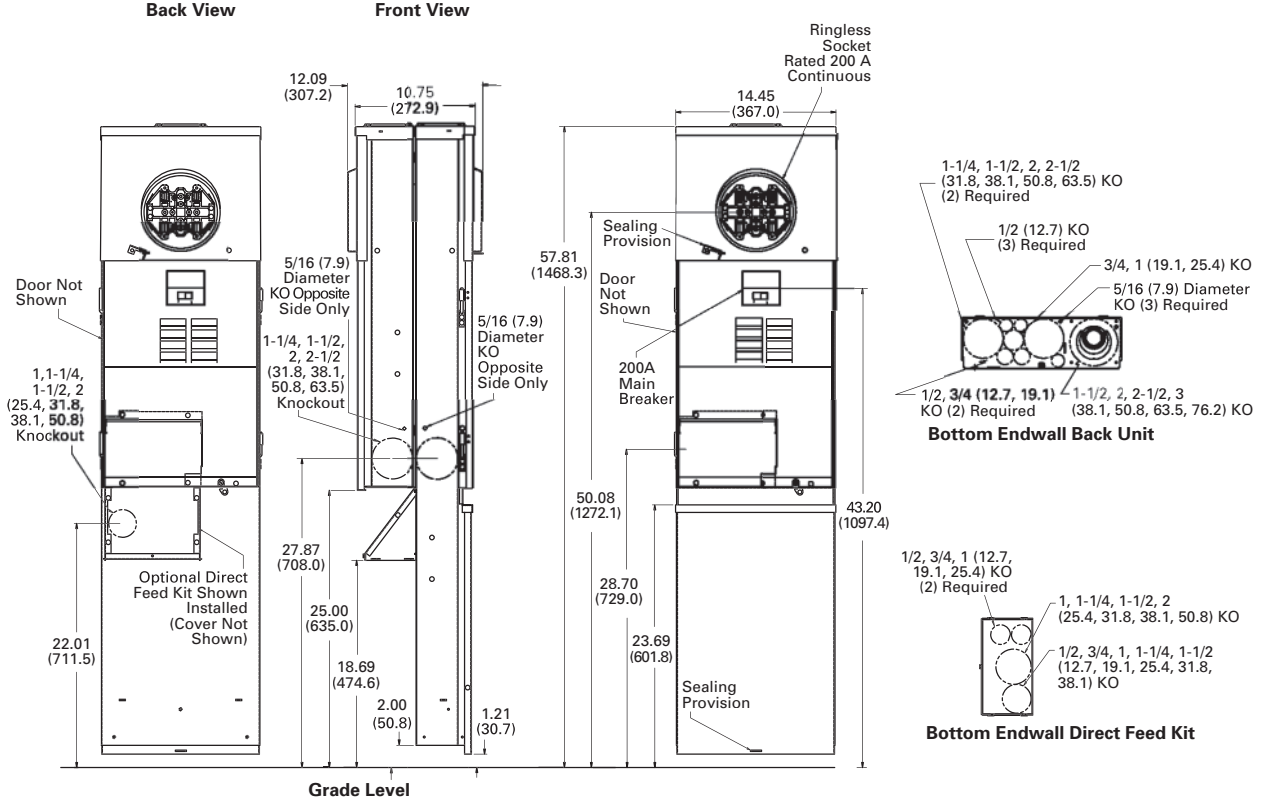
#### Mobile Home Panel—Ringless—Pedestal Mounting

6



Approximate Dimensions in Inches (mm)

Mobile Home Panel—Ringless—Back-to-Back Mounting



# 6.3

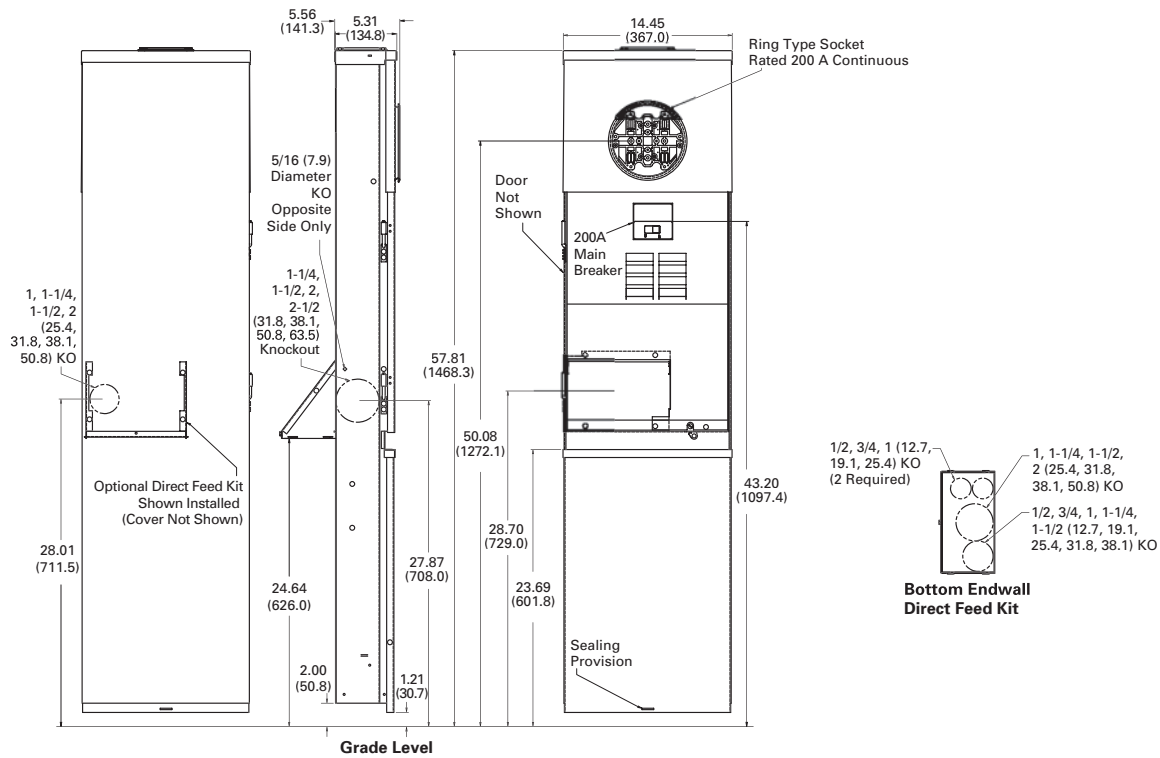
## Power Pedestals

### Mobile Home Panels

Approximate Dimensions in Inches (mm)

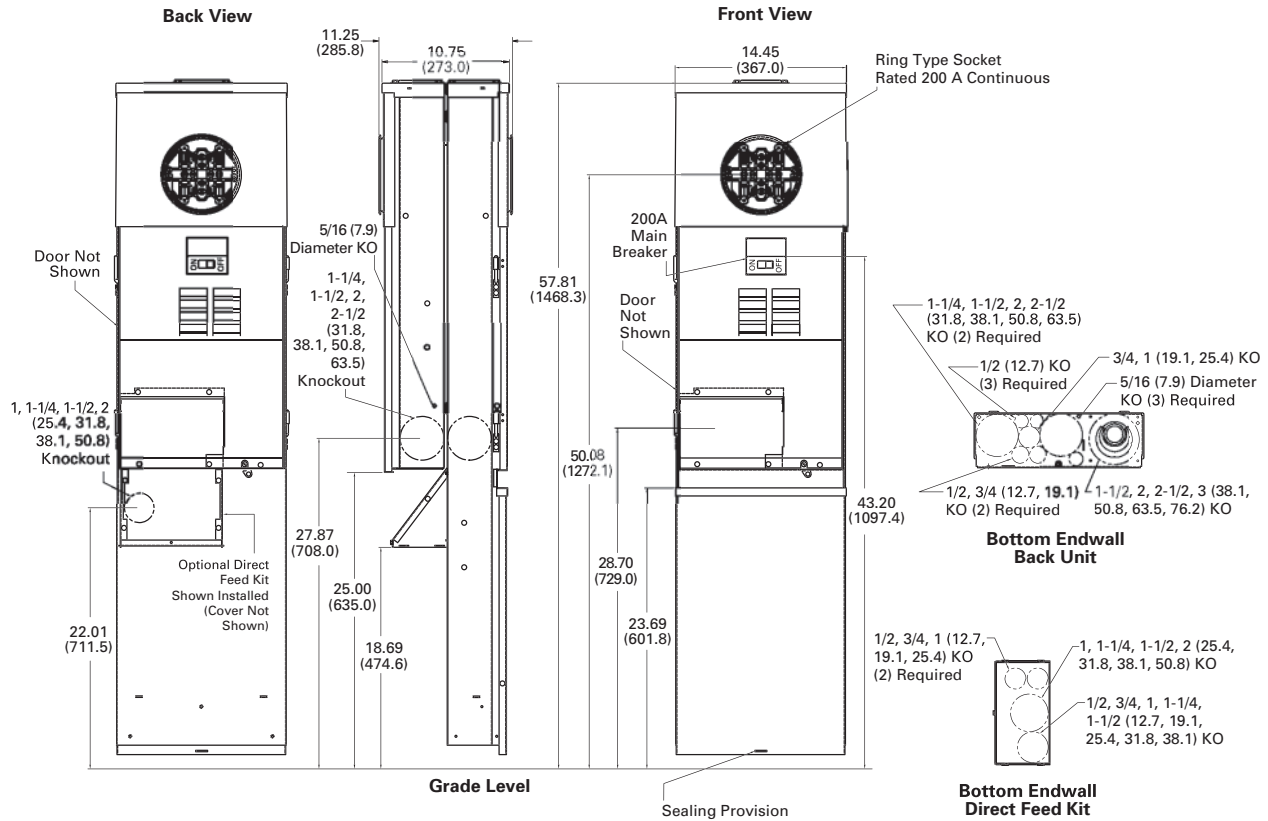
#### Mobile Home Panel—Ring—Pedestal Mounting

6



Approximate Dimensions in Inches (mm)

Mobile Home Panel—Ring—Back-to-Back Mounting



#### Recreational Vehicle/Campground Products



*High-Quality, Weatherproof Electrical Equipment*

6

## Power Pedestals

### Product Overview

On March 24, 2006, RV Park Hook-Ups® joined together with Eaton Corporation to provide unmatched products and services in the recreational vehicle industry, as well as the marina industry. Known as the leader in electrical control, power distribution, and industrial automation products and services, Eaton is a quality driven company that constantly looks for ways to provide enhanced products and service solutions for their customers. Eaton will be able to provide RV park developers a complete electrical solution. For more information on the other products available from Eaton, visit us online at [www.eaton.com](http://www.eaton.com) or [www.rvparkhookups.com](http://www.rvparkhookups.com)

### What Eaton has to Offer

- Complementary comprehensive in-house electrical designs for your complete RV or marina development
- RV and marina power pedestals
- Custom substations
- Transformers
- Panels
- Wire
- Digital electronic meters
- Receptacles and breakers
- Specialized electrical parts and equipment

## Contents

### Description

Power Pedestals	
Product Selection Guide . . . . .	<b>313</b>
Powerhouse Power Pedestal . . . . .	<b>314</b>
Powerhouse—Stainless Steel (SS) Power Pedestal . . . . .	<b>317</b>
Newport Camp Mate Power Pedestal . . . . .	<b>320</b>
Park Light Power Pedestal . . . . .	<b>323</b>
Firehouse . . . . .	<b>326</b>
Digital Electronic Kilowatt-hour Meters . . . . .	<b>328</b>
Distribution Equipment—Ground Fault Monitor . . . . .	<b>329</b>
Distribution Equipment—Substations . . . . .	<b>330</b>
Distribution Equipment—Panels . . . . .	<b>333</b>
Distribution Equipment—Transformers . . . . .	<b>334</b>

**Product Selection Guide**

**Power Receptacles**



Power Outlets		Phase	Maximum GFI Powerhouse	Powerhouse-SS	Newport Camp Mate	Park Light
Side One	Side Two					
None	None	1	2	2	2	2
30-20	00	1	2	2	1	1
30-20	30-20	1	2	2	—	—
30-30-20	30-30-20	1	2	2	—	—
30-20	50-20	1	2	2	—	—
30-30-20	50-20	1	2	2	—	—
30-30-20	30-50-20	1	2	2	—	—
30-30-20	50-50-20	1	2	2	—	—
30-50-20	30-50-20	1	2	2	—	—
30-50-20	50-50-20	1	2	2	—	—
50-20	None	1	2	2	—	—
50-20	50-20	1	2	2	—	—
50-50-20	50-20	1	2	2	—	—
50-50-20	50-50-20	1	2	2	—	—
30-50-20	None	1	2	2	0	—



Powerhouse Power Pedestal



6

### Powerhouse Power Pedestal

#### Product Description

The Powerhouse® RV utility center is our most popular pedestal for single or double RV sites because of its full complement of standard features and available option packages able to meet any user requirement. The housing is made of durable weatherproof engineered resin and will never rust or deteriorate.

That's why it comes with a limited lifetime warranty. Since the Powerhouse can accommodate two RV sites, it's an economical pedestal for double site installation. This unit is ideal for new, or when retrofitting, full-service RV parks.

#### Features

- Photocell controlled 13 watt fluorescent light with amber lens
- Lockable weatherproof doors that protect receptacles and breakers
- Hose and cable brackets
- Engineered resin housing with a two-part polyurethane coating for a UV-resistant, long-lasting finish
- Limited lifetime warranty on the housing
- Loop-feed mechanical bus bars that can accept up to 250 kcmil wire
- Hinged pedestal base providing easy access for installation and maintenance

### Contents

<i>Description</i>	<i>Page</i>
Power Pedestals . . . . .	312
Powerhouse Power Pedestal	
Standards and Certifications . . . . .	315
Catalog Number Selection . . . . .	315
Accessories . . . . .	316
Dimensions . . . . .	316
Powerhouse—Stainless Steel (SS) Power Pedestal . . . . .	317
Newport Camp Mate Power Pedestal . . . . .	320
Park Light Power Pedestal . . . . .	323
Firehouse . . . . .	326
Digital Electronic Kilowatt-hour Meters . . . . .	328
Distribution Equipment—Ground Fault Monitor . . . . .	329
Distribution Equipment—Substations . . . . .	330
Distribution Equipment—Panels . . . . .	333
Distribution Equipment—Transformers . . . . .	334

#### Surge Protection

SurgeTrap is designed to protect electrical and electronic loads from transients and surge disturbances on your AC power line, such as voltage surges, spikes and lighting. The SurgeTrap has a lifetime warranty where Eaton will replace the SurgeTrap device at no charge.

- 175 kA maximum surge current
- 3500 joules
- Type 3R enclosure
- Comes with a protection working indicator light
- Factory installed integral to pedestal or available for retrofit

#### Available Options

- Clear lens
- Photocell controlled single or dual 7 watt or 13 watt fluorescent light
- Telephone (RJ-11) for each side
- Cable TV for each side
- High-speed Internet connector (RJ-45) for each side
- Water—single or dual 1/4-turn brass ball valves (brass "T" connection) with 3/4-inch hose bibs
- Water meters with remote capability
- Water—anti-siphon faucet
- Loop-feed 3/8-inch stud lug copper bus bar for up to 250 kcmil wire (recommended for salt water environments)
- Single-feed mechanical bus bars for up to 250 kcmil wire
- Digital electronic meter for each side
- Wireless remote reading of electronic kilowatt meters
- Meter socket for each side powered (to accept glass style meter)
- Direct burial ground mounting stand stainless or galvanized
- Custom paint color

**Standards and Certifications**

- UL/CSA listed



**Catalog Number Selection**

P D U 4 7 0 0 0 0 0 1 2 K M

**Type**

P = Powerhouse  
Z = PHSS

**Lighting and Lens Color**

A	= 7W light	Amber
B	= Dual 7W light	Amber
C	= 9W light	Amber
D	= 13W light	Amber
E	= Dual 13W light	Amber
F	= No lighting	Amber
G	= 7W light	Clear
H	= Dual 7W light	Clear
I	= 9W light	Clear
J	= 13W light	Clear
K	= Dual 13W light	Clear
L	= No lighting	Clear
M	= 7W light	Special
N	= Dual 7W light	Special
O	= 9W light	Special
P	= 13W light	Special
Q	= Dual 13W light	Special
R	= No lighting	Special
S	= 350 MA LED	Amber
T	= 700 MA LED	Amber
U	= 350 MA LED	Clear
V	= 700 MA LED	Clear
W	= 350 MA LED	Special
Y	= 700 MA LED	Special

**Metering Type**

U = Unmetered  
D = Digital electronic meters (side one)  
T = Digital electronic meters (side two)  
B = Digital electronic meters (both sides)  
R = Receptacles metered individually  
M = One meter socket (100A)  
N = Two meter socket (100A each)

**Sides and Receptacles**

	R1S1	R2S1	R3S1	R4S1	R1S2	R2S2	R3S2	R4S2
0	0	0	0	0	0	0	0	0
1	1	1	1	1	1	1	1	1
2	2	2	2	2	2	2	2	2
3	3	3	3	3	3	3	3	3
4	4	4	4	4	4	4	4	4
5	5	5	5	5	5	5	5	5
6	6	6	6	6	6	6	6	6
7	7	7	7	7	7	7	7	7
8	8	8	8	8	8	8	8	8

0 = None  
1 = 20A GFI duplex  
2 = 30A, 125V  
4 = 50A, 125/250V  
5 = 100A, 208V  
6 = 100A, 250V  
7 = 100A, 277/480V  
8 = 100A, 480V

**Water Option** ①

0 = 0  
1 = 1  
2 = 2  
3 = Single water meter  
4 = Dual water meter  
5 = Single meter, 2V  
6 = 1 frost free  
7 = 2 frost free

**Extra Unmetered GFI Receptacles**

0 = None  
1 = 1  
2 = 2

**Phone Cable TV and Internet Options**

	Phone Jack	Cable TV Jack	Internet Option
A	= 1	0	0
B	= 1	0	1
C	= 1	0	2
D	= 1	1	0
E	= 1	1	1
F	= 1	1	2
G	= 1	2	0
H	= 1	2	1
I	= 1	2	2
J	= 2	0	0
K	= 2	0	1
L	= 2	0	2
M	= 2	1	0
N	= 2	1	1
O	= 2	1	2
P	= 2	2	0
Q	= 2	2	1
R	= 2	2	2
S	= 0	2	2
T	= 0	0	1
U	= 0	0	2
V	= 0	1	0
W	= 0	1	1
X	= 0	1	2
Y	= 0	2	0
Z	= 0	2	1
0	= 0	0	0

**Bus**

S = Single-phase 3/8-inch copper bus bar  
F = Three-phase 3/8-inch copper bus bar  
C = Single-phase 3/8-inch Canadian bus bar  
T = Three-phase 3/8-inch Canadian bus bar  
M = Single-phase 300 kcmil mechanical lug bus  
Z = Three-phase 300 kcmil mechanical lug bus  
L = Single-phase 350 kcmil mechanical lug bus  
P = Three-phase 350 kcmil mechanical lug bus  
N = Single-phase 1/4-inch copper bus bar  
Q = Single-phase 1/4-inch split mechanical bus bar  
A = Single-phase 300 kcmil mechanical lug Canadian bus  
B = Three-phase 300 kcmil mechanical lug Canadian bus  
D = Single-phase 350 kcmil mechanical lug Canadian bus  
E = Three-phase 350 kcmil mechanical lug Canadian bus

Receptacle: R1S1 = Receptacle 1, Side 1  
R2S1 = Receptacle 2, Side 1  
R3S1 = Receptacle 3, Side 1  
R1S2 = Receptacle 1, Side 2  
R2S2 = Receptacle 2, Side 2  
R3S2 = Receptacle 3, Side 2

**Notes**

- ① Number represents the quantity of 1/4-turn ball valves with 3/4-inch hose bibs.
- Internet option also available. Contact factory for details.

# 6.4

## Power Pedestals

### RV Park Hook-Ups

#### Accessories

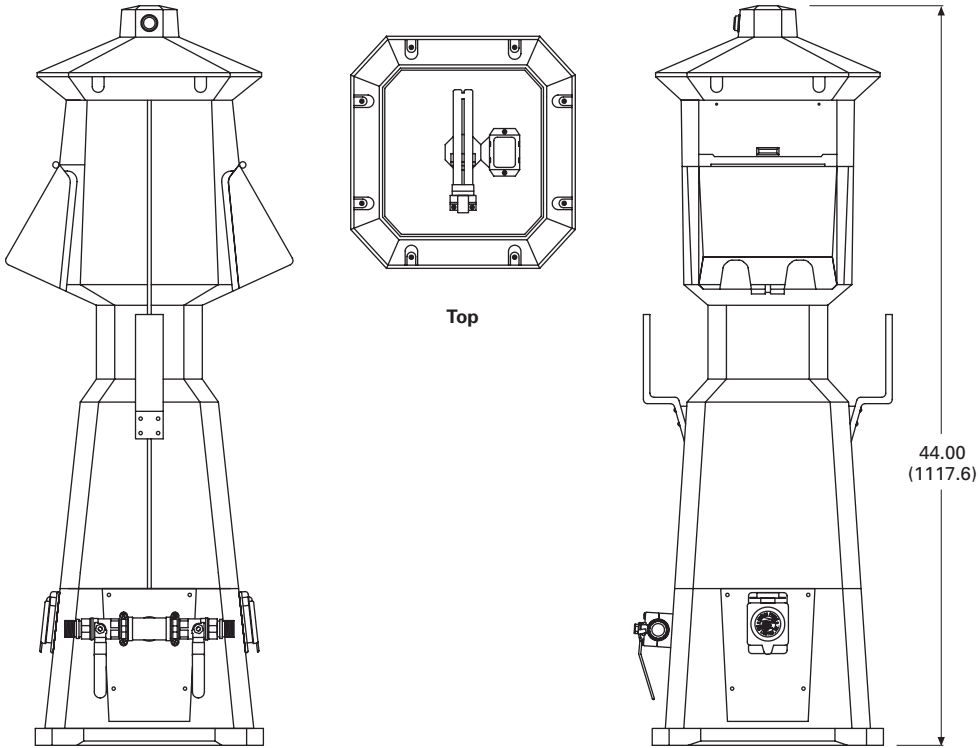
See **Page 359**.

#### Dimensions

Approximate Dimensions in Inches (mm)

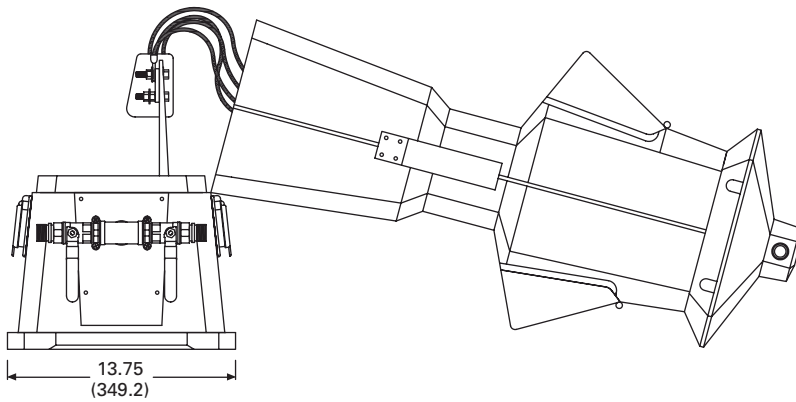
#### Powerhouse

6



Side View

Front View



Broken View

**Powerhouse—Stainless Steel (SS) Power Pedestal****Powerhouse—Stainless Steel (SS) Power Pedestal****Product Description**

For long-lasting durability and low maintenance, the new stainless steel Powerhouse—SS pedestal is the most resilient power center offered.

We have designed a stainless steel pedestal that will meet and exceed all applicable codes and withstand harsh inland and coastal environments.

**Features**

- Stainless steel housing with a limited lifetime warranty
- Photocell controlled 13 watt fluorescent light with amber lens
- Large removable access panel for easy installation and maintenance
- Weatherproof doors that protect receptacles and breakers
- Backlit faceplate to aid in hooking up at night
- Hose and cable brackets
- Powder-coated finish
- Loop-feed mechanical bus bars that can accept up to 350 kcmil wire

**Contents**

<b>Description</b>	<b>Page</b>
Power Pedestals . . . . .	<b>312</b>
Powerhouse Power Pedestal . . . . .	<b>314</b>
Powerhouse—Stainless Steel (SS) Power Pedestal	
Catalog Number Selection . . . . .	<b>318</b>
Accessories . . . . .	<b>319</b>
Dimensions . . . . .	<b>319</b>
Newport Camp Mate Power Pedestal . . . . .	<b>320</b>
Park Light Power Pedestal . . . . .	<b>323</b>
Firehouse . . . . .	<b>326</b>
Digital Electronic Kilowatthour Meters . . . . .	<b>328</b>
Distribution Equipment—Ground Fault Monitor . . . . .	<b>329</b>
Distribution Equipment—Substations . . . . .	<b>330</b>
Distribution Equipment—Panels . . . . .	<b>333</b>
Distribution Equipment—Transformers . . . . .	<b>334</b>

**Available Options**

- Clear lens
- Photocell controlled single or dual 7 watt or 13 watt fluorescent light
- Telephone (RJ-11) for each side
- Cable TV for each side
- High-speed Internet connection (RJ-45) for each side
- Water—single or dual 1/4-turn brass ball valves (brass “T” connection) with 3/4-inch hose bibs
- Water meters with remote capability
- Water—anti-siphon faucet
- Direct burial stainless steel ground mounting stand
- Lockable doors
- Loop-feed 3/8-inch stud lug copper bus bar for up to 350 kcmil wire (recommended for salt water environments)
- Single-feed mechanical bus bars for up to 350 kcmil wire
- Digital electronic metering for each side
- Wireless remote reading of electronic kilowatt meters
- Meter socket for each side powered (to accept glass style meter)
- Four door design to add more outlets per pedestal

#### Catalog Number Selection

Z D U 4 7 0 0 0 0 0 1 2 K M

**Type**

**P** = Powerhouse  
**Z** = PHSS

**Lighting and Lens Color**

<b>A</b>	= 7W light	Amber
<b>B</b>	= Dual 7W light	Amber
<b>C</b>	= 9W light	Amber
<b>D</b>	= 13W light	Amber
<b>E</b>	= Dual 13W light	Amber
<b>F</b>	= No lighting	Amber
<b>G</b>	= 7W light	Clear
<b>H</b>	= Dual 7W light	Clear
<b>I</b>	= 9W light	Clear
<b>J</b>	= 13W light	Clear
<b>K</b>	= Dual 13W light	Clear
<b>L</b>	= No lighting	Clear
<b>M</b>	= 7W light	Special
<b>N</b>	= Dual 7W light	Special
<b>O</b>	= 9W light	Special
<b>P</b>	= 13W light	Special
<b>Q</b>	= Dual 13W light	Special
<b>R</b>	= No lighting	Special
<b>S</b>	= 350 MA LED	Amber
<b>T</b>	= 700 MA LED	Amber
<b>U</b>	= 350 MA LED	Clear
<b>V</b>	= 700 MA LED	Clear
<b>W</b>	= 350 MA LED	Special
<b>Y</b>	= 700 MA LED	Special

**Sides and Receptacles**

	R1S1	R2S1	R3S1	R4S1	R1S2	R2S2	R3S2	R4S2
<b>0</b>	0	0	0	0	0	0	0	0
<b>1</b>	1	1	1	1	1	1	1	1
<b>2</b>	2	2	2	2	2	2	2	2
<b>3</b>	3	3	3	3	3	3	3	3
<b>4</b>	4	4	4	4	4	4	4	4
<b>5</b>	5	5	5	5	5	5	5	5
<b>6</b>	6	6	6	6	6	6	6	6
<b>7</b>	7	7	7	7	7	7	7	7
<b>8</b>	8	8	8	8	8	8	8	8

**0** = None  
**1** = 20A GFI duplex  
**2** = 30A, 125V  
**4** = 50A, 125/250V  
**5** = 100A, 208V  
**6** = 100A, 250V  
**7** = 100A, 277/480V  
**8** = 100A, 480V

**Water Option** ①

**0** = 0  
**1** = 1  
**2** = 2  
**3** = Single water meter  
**4** = Dual water meter  
**5** = Single meter, 2V  
**6** = 1 frost free  
**7** = 2 frost free

**Extra Unmetered GFI Receptacles**

**0** = None  
**1** = 1  
**2** = 2

**Phone Cable TV and Internet Options**

	Phone Jack	Cable TV Jack	Internet Option
<b>A</b>	= 1	0	0
<b>B</b>	= 1	0	1
<b>C</b>	= 1	0	2
<b>D</b>	= 1	1	0
<b>E</b>	= 1	1	1
<b>F</b>	= 1	1	2
<b>G</b>	= 1	2	0
<b>H</b>	= 1	2	1
<b>I</b>	= 1	2	2
<b>J</b>	= 2	0	0
<b>K</b>	= 2	0	1
<b>L</b>	= 2	0	2
<b>M</b>	= 2	1	0
<b>N</b>	= 2	1	1
<b>O</b>	= 2	1	2
<b>P</b>	= 2	2	0
<b>Q</b>	= 2	2	1
<b>R</b>	= 2	2	2
<b>S</b>	= 0	2	2
<b>T</b>	= 0	0	1
<b>U</b>	= 0	0	2
<b>V</b>	= 0	1	0
<b>W</b>	= 0	1	1
<b>X</b>	= 0	1	2
<b>Y</b>	= 0	2	0
<b>Z</b>	= 0	2	1
<b>0</b>	= 0	0	0

**Bus**

**S** = Single-phase 3/8-inch copper bus bar  
**F** = Three-phase 3/8-inch copper bus bar  
**C** = Single-phase 3/8-inch Canadian bus bar  
**T** = Three-phase 3/8-inch Canadian bus bar  
**M** = Single-phase 300 kcmil mechanical lug bus  
**Z** = Three-phase 300 kcmil mechanical lug bus  
**L** = Single-phase 350 kcmil mechanical lug bus  
**P** = Three-phase 350 kcmil mechanical lug bus  
**N** = Single-phase 1/4-inch copper bus bar  
**Q** = Single-phase 1/4-inch split mechanical bus bar  
**A** = Single-phase 300 kcmil mechanical lug Canadian bus  
**B** = Three-phase 300 kcmil mechanical lug Canadian bus  
**D** = Single-phase 350 kcmil mechanical lug Canadian bus  
**E** = Three-phase 350 kcmil mechanical lug Canadian bus

**Metering Type**

**U** = Unmetered  
**D** = Digital electronic meters (side one)  
**T** = Digital electronic meters (side two)  
**B** = Digital electronic meters (both sides)  
**R** = Receptacles metered individually  
**M** = One meter socket (100A)  
**N** = Two meter socket (100A each)

Receptacle: R1S1 = Receptacle 1, Side 1  
R2S1 = Receptacle 2, Side 1  
R3S1 = Receptacle 3, Side 1  
R1S2 = Receptacle 1, Side 2  
R2S2 = Receptacle 2, Side 2  
R3S2 = Receptacle 3, Side 2

**Notes**

① Number represents the quantity of 1/4-turn ball valves with 3/4-inch hose bibs.  
Internet option also available. Contact factory for details.

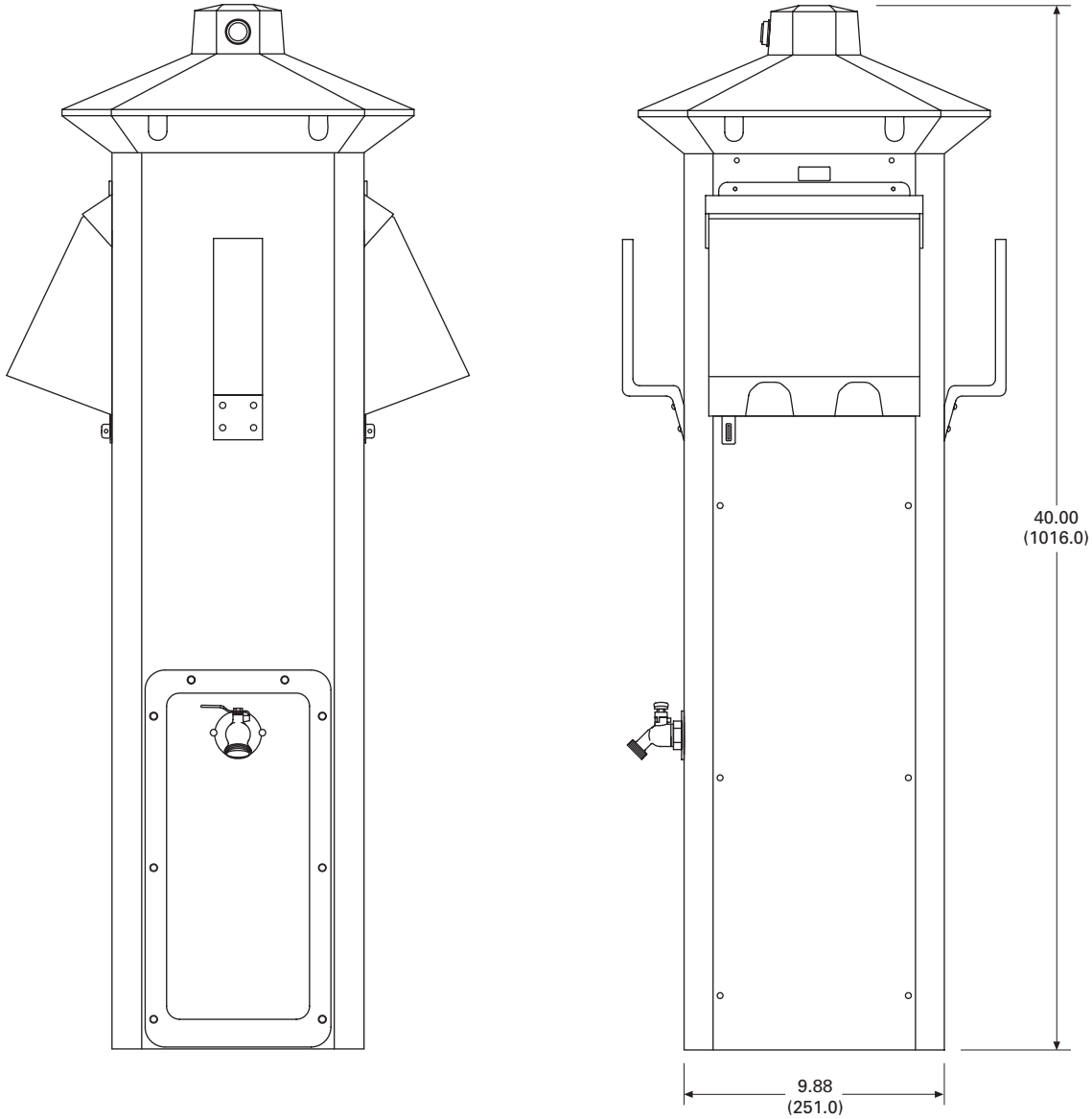
**Accessories**

See **Page 359**.

**Dimensions**

Approximate Dimensions in Inches (mm)

**Powerhouse—Stainless Steel (SS)**



Newport Camp Mate Power Pedestal



6

### Newport Camp Mate Power Pedestal

#### Product Description

The Newport Camp Mate provides many of the features and options of our other full-size pedestals, but in a compact self-contained unit. This model provides more mounting options to RV park owners than any other model. It can be mounted to our stainless steel stand either flanged or direct burial, a post or any wall.

It comes standard with a resin housing that will never rust or deteriorate and provides area lighting as well as aiding in hooking up at night. This unit is especially suitable to many RV park renovation projects as well as new RV parks.

#### Features

- Photocell controlled 7 watt fluorescent light with amber lens
- Lockable weatherproof door that protects receptacles and breakers
- Engineered resin housing
- Limited lifetime warranty on the housing
- Designed to mount on a post, wall or an optional custom stand
- Loop-feed 1/4-inch copper stud lug bus bars that can accept 2/0 AWG wire for Camp Mate without optional stand
- Loop-feed mechanical bus bars that can accept up to 2/0 AWG wire for Camp Mate on optional stand

### Contents

<i><b>Description</b></i>	<i><b>Page</b></i>
Power Pedestals . . . . .	312
Powerhouse Power Pedestal . . . . .	314
Powerhouse—Stainless Steel (SS) Power Pedestal . . . . .	317
Newport Camp Mate Power Pedestal	
Catalog Number Selection . . . . .	321
Accessories . . . . .	322
Dimensions . . . . .	322
Park Light Power Pedestal . . . . .	323
Firehouse . . . . .	326
Digital Electronic Kilowatt-hour Meters . . . . .	328
Distribution Equipment—Ground Fault Monitor . . . . .	329
Distribution Equipment—Substations . . . . .	330
Distribution Equipment—Panels . . . . .	333
Distribution Equipment—Transformers . . . . .	334

#### Available Options

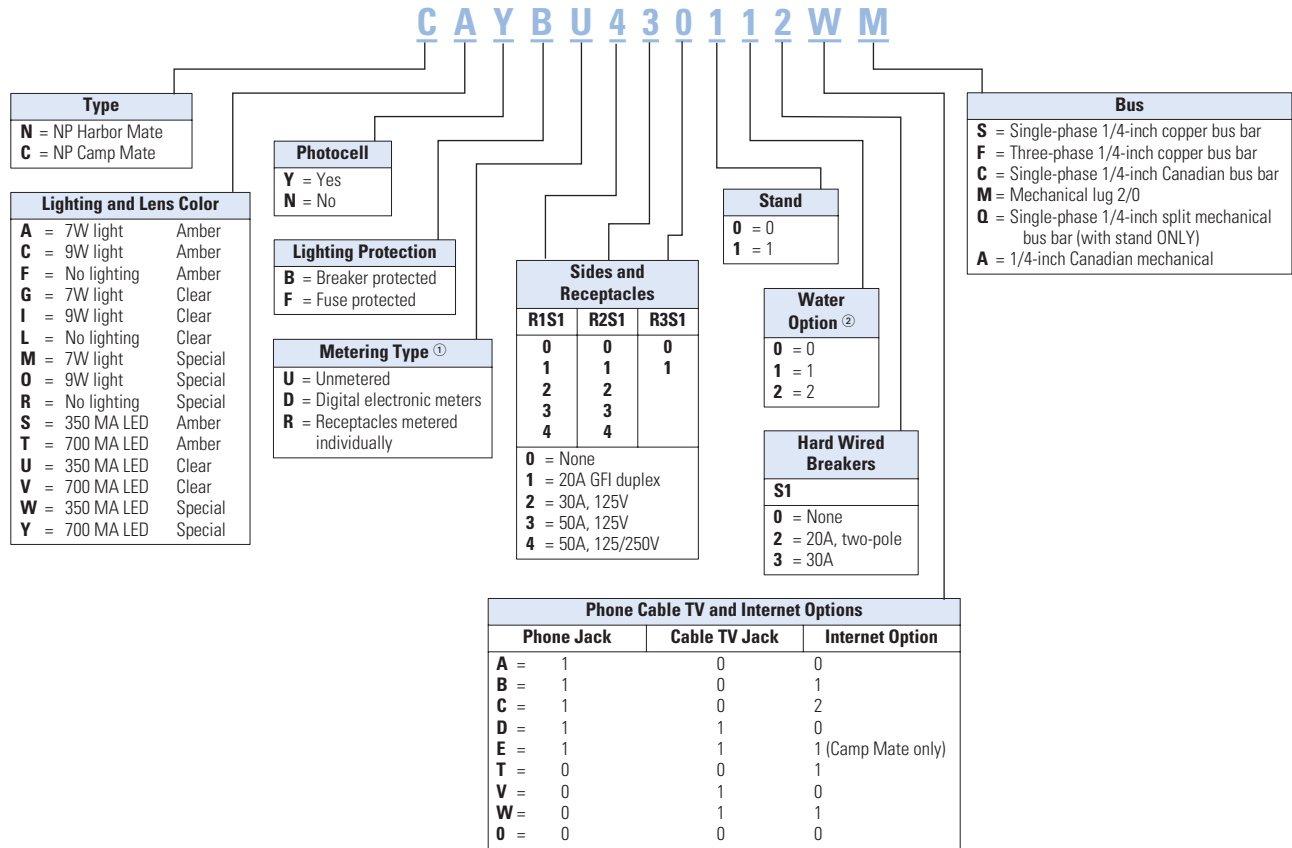
- 36-inch stainless steel stand
- 40-inch stainless steel pad-mounted stand
- 60-inch direct burial stainless steel stand
- Telephone (RJ-11)
- Cable TV
- High-speed Internet connector (RJ-45)
- Water—single or dual 1/4-turn brass ball valves (brass “T” connection) with 3/4-inch hose bibs mounted on optional stand
- Water—anti-siphon backflow preventer
- Loop feed 3/8-inch stud lug copper bus bar for up to 350 kcmil wire with stand (recommended for salt water environments)
- Single-feed mechanical bus bars for up to 350 kcmil wire available with stand
- Digital electronic meter
- Wireless remote reading of electronic kilowatt meter
- Meter socket available with aluminum stands (to accept glass style meter)

#### Standards and Certifications

The Newport Camp Mate is UL listed and comes with a limited lifetime warranty on the housing.



Catalog Number Selection



Receptacle: R1 = Receptacle 1  
R2 = Receptacle 2  
R3 = Receptacle 3

**Notes**

- ① 20A GFIs not metered.
- ② Number represents the quantity of 1/4-turn ball valves with 3/4-inch hose bibs (with stand only).



# 6.4

## Power Pedestals

### RV Park Hook-Ups

#### Accessories

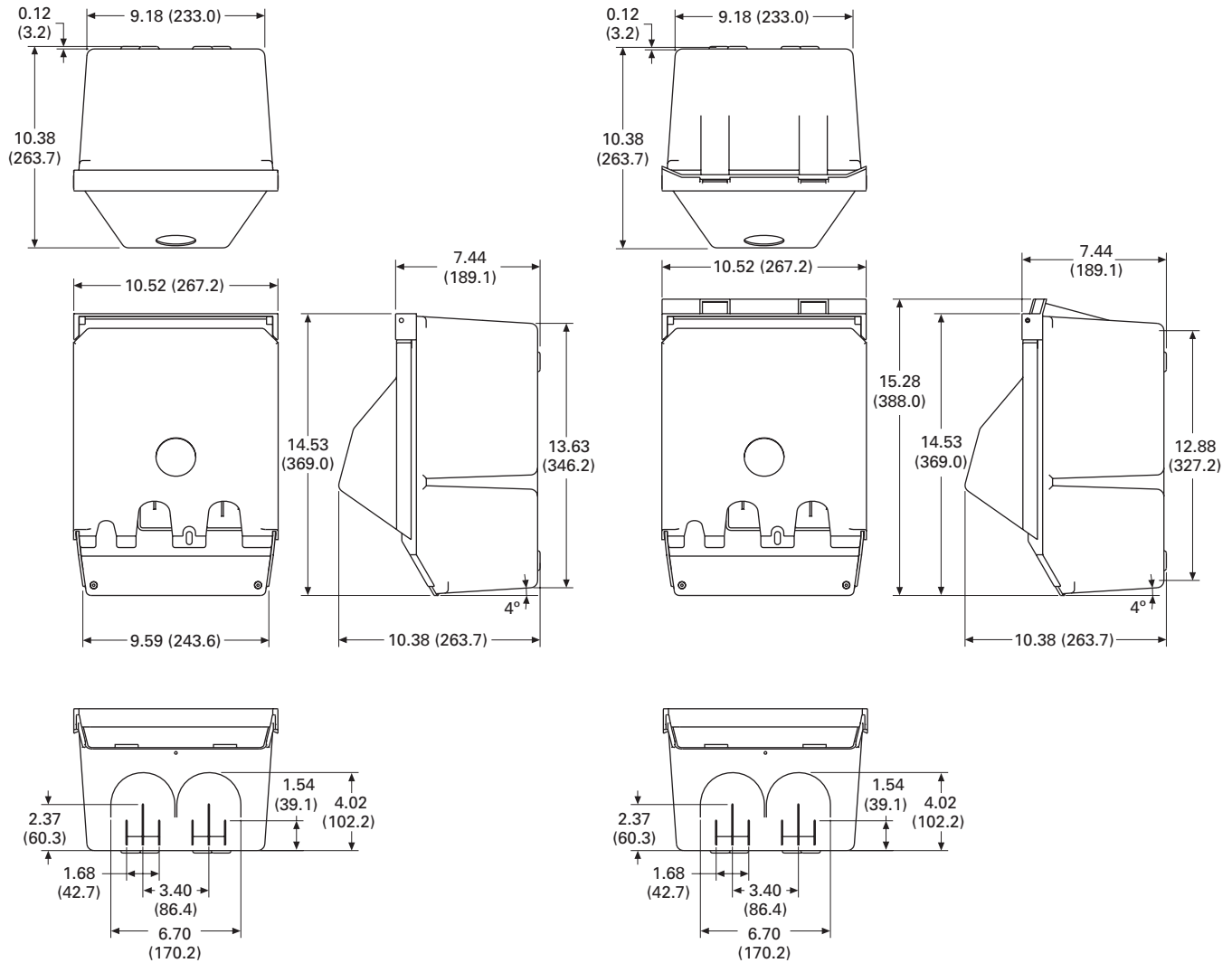
See **Page 359**.

#### Dimensions

Approximate Dimensions in Inches (mm)

#### Newport Camp Mate

6



**Newport Redesign**

**Newport Redesign With Meters**

Park Light Power Pedestal



**Contents**

<i><b>Description</b></i>	<i><b>Page</b></i>
Power Pedestals . . . . .	312
Powerhouse Power Pedestal . . . . .	314
Powerhouse—Stainless Steel (SS) Power Pedestal . . . . .	317
Newport Camp Mate Power Pedestal . . . . .	320
Park Light Power Pedestal	
Catalog Number Selection . . . . .	324
Accessories . . . . .	325
Dimensions . . . . .	325
Firehouse . . . . .	326
Digital Electronic Kilowatthour Meters . . . . .	328
Distribution Equipment—Ground Fault Monitor . . . . .	329
Distribution Equipment—Substations . . . . .	330
Distribution Equipment—Panels . . . . .	333
Distribution Equipment—Transformers . . . . .	334

**Park Light Power Pedestal**

**Product Description**

The elegant design of the Park Light complements park landscaping and provides essential lighting required for park safety and security for campground paths, walkways, recreational areas and even pools. The Park Light has the same 360 degree lighting design as the Powerhouse and a resin housing that will never rust or deteriorate.

At 10¢/kWH, it will provide area lighting at a cost of less than 50¢/month and the bulbs will last for about three years. The Park Light is a perfect lighting fixture for any campground and especially for RV parks with Powerhouse utility centers.

**Features**

- Photocell controlled dual 13 watt fluorescent light with amber lens
- Engineered resin housing with a two-part polyurethane coating for a UV-resistant, long-lasting finish
- Limited lifetime warranty on the housing
- Loop-feed 1/4-inch stud lug copper bus bars that can accept 2/0 AWG wire

**Available Options**

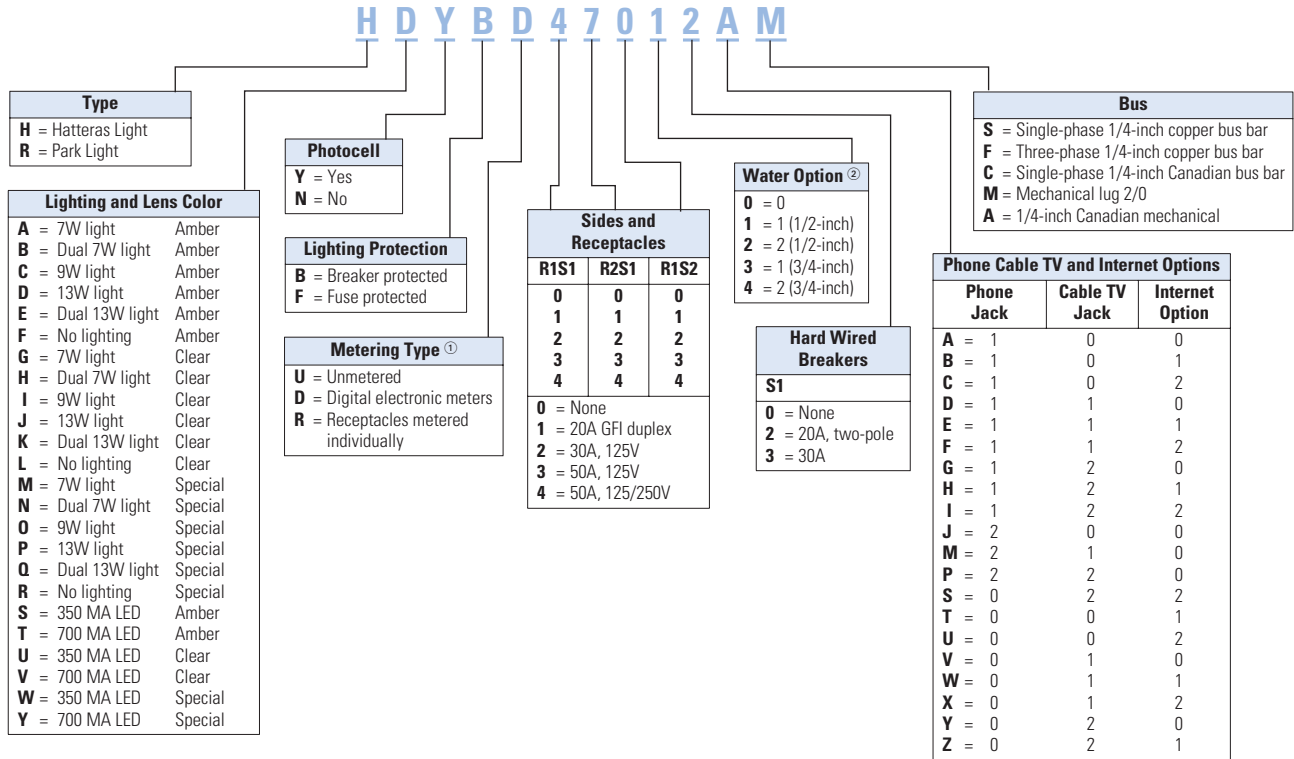
- Clear lens
- Photocell controlled single or dual 7 watt or 13 watt fluorescent light
- Phone (RJ-11)
- Cable TV
- High-speed Internet (RJ-45)
- Water faucet(s) with 3/4-inch hose bib
- Water—anti-siphon backflow preventer
- Digital electronic meter
- Wireless remote reading of electronic kilowatt meter
- Direct burial ground mounting stand
- Custom paint color

**Standards and Certifications**

The housing has a limited lifetime warranty, and the unit is UL listed.



#### Catalog Number Selection



Receptacle: R1 = Receptacle 1, Side 1  
R2 = Receptacle 2, Side 2

#### Notes

- ① 20A GFIs not metered.
- ② Number represents the quantity of 1/4-turn ball valves with 3/4-inch hose bibs (with stand only).

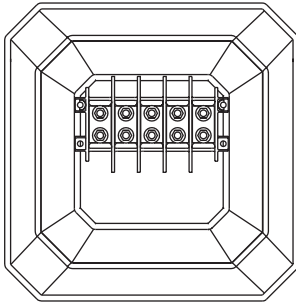
**Accessories**

See **Page 359**.

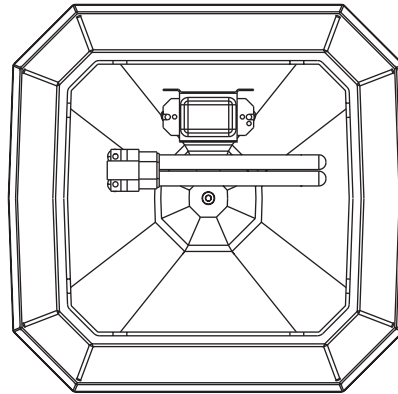
**Dimensions**

Approximate Dimensions in Inches (mm)

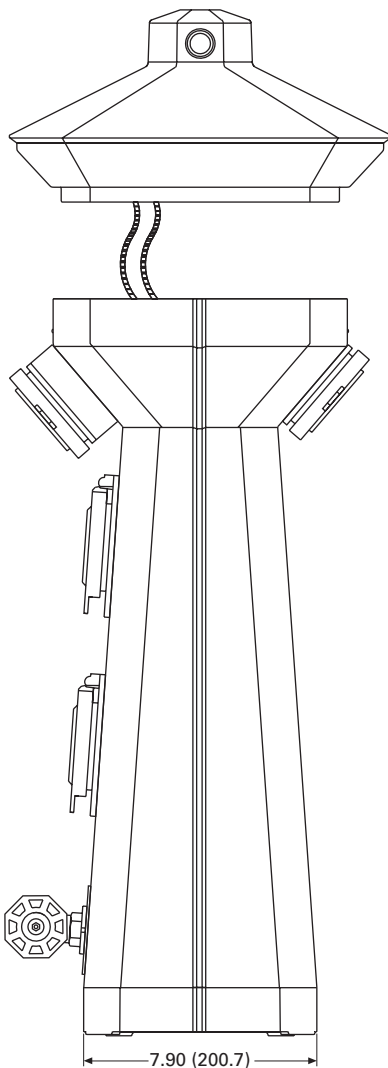
**Park Light**



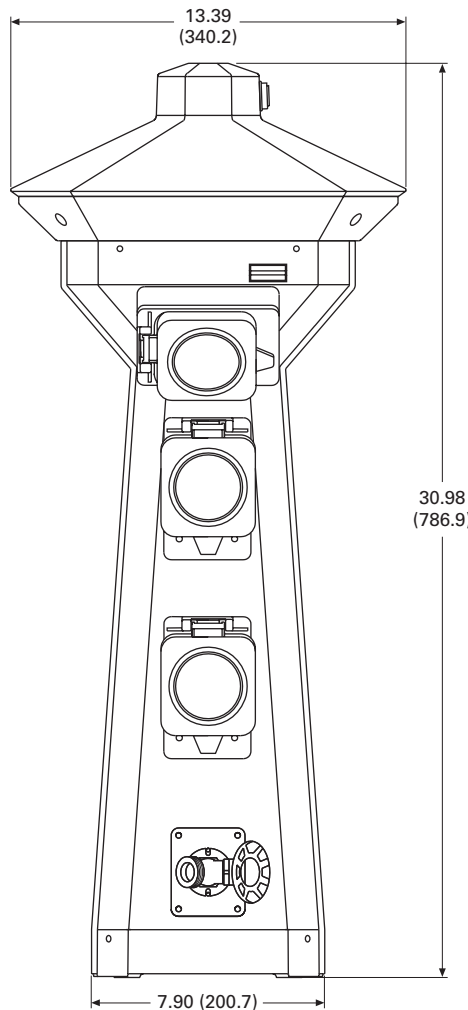
**Bus Bar Access Top Removed**



**Inside Top**



**Side View**



**Front View**

Firehouse



### Contents

<i>Description</i>	<i>Page</i>
Power Pedestals . . . . .	312
Powerhouse Power Pedestal . . . . .	314
Powerhouse—Stainless Steel (SS) Power Pedestal . . . . .	317
Newport Camp Mate Power Pedestal . . . . .	320
Park Light Power Pedestal . . . . .	323
Firehouse	
Accessories . . . . .	327
Dimensions . . . . .	327
Digital Electronic Kilowatt-hour Meters . . . . .	328
Distribution Equipment—Ground Fault Monitor . . . . .	329
Distribution Equipment—Substations . . . . .	330
Distribution Equipment—Panels . . . . .	333
Distribution Equipment—Transformers . . . . .	334

### Firehouse

#### Product Description

The Firehouse is designed to provide added fire safety to RV parks and campgrounds. The Firehouse provides a convenient location and easy access to fire extinguishers and to an optional life ring when installed around pools and waterfront amenities.

In addition, the Firehouse provides area lighting for easy identification during an emergency and for security lighting around the unit. The Firehouse can be equipped with an alarm strobe light and siren, which are automatically activated when the fire extinguisher cabinet door is opened or the optional life ring is removed.

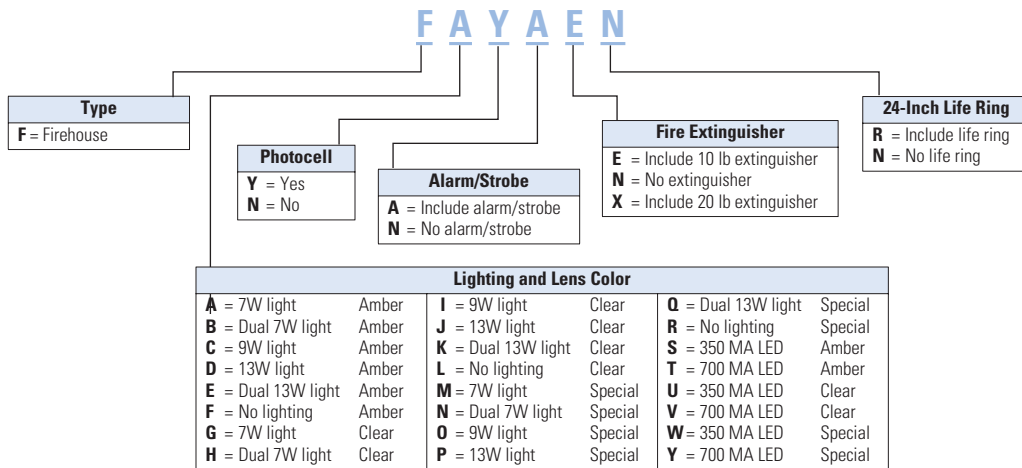
#### Features

- Photocell controlled 13 watt fluorescent light
- Amber lens for bug reduction
- 10 lb ABC Type fire extinguisher
- Stainless steel housing with oven-baked enamel finish with an engineered resin base and top
- Limited lifetime warranty on the housing

#### Available Options

- Alarm strobe light and siren
- Optional 24-inch white or orange life ring for poolside or dockside installations
- 20 lb ABC Type fire extinguisher

#### Catalog Number Selection



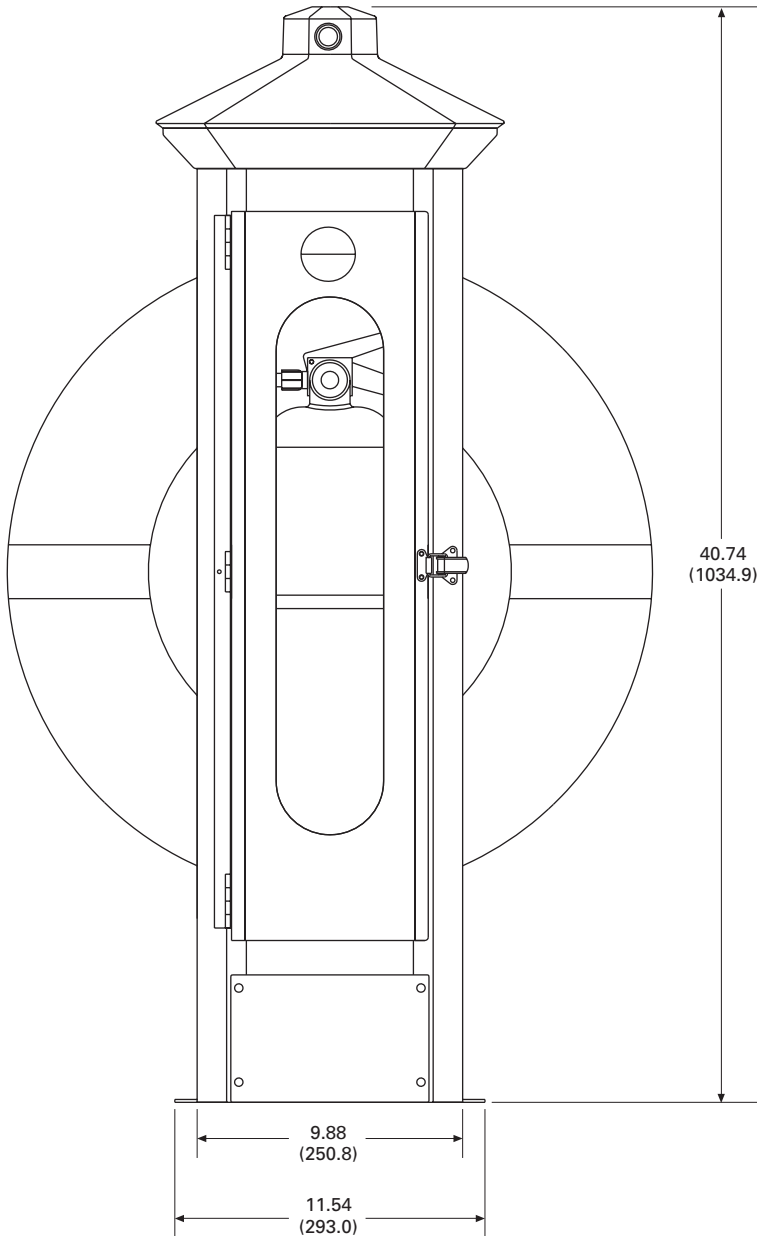
**Accessories**

See **Page 359**.

**Dimensions**

Approximate Dimensions in Inches (mm)

**Firehouse-SS**



#### Digital Electronic Kilowattour Meters



### Digital Electronic Kilowattour Meters

#### Product Description

Using the latest surface mount technology, Eaton manufactures a digital electronic kilowatt hour meter that exceeds the +/- 2% accuracy required by ANSI (American National Standards Institute) C-12.1 and is approved by the state of California at +/- 1% over the full range of 0–100A from a 0.5 to 1 power factor and is available for both single- and three-phase applications.

The meter drives an electro-mechanical counter that requires a 12V pulse each tenth of a kilowattour, providing 10 pulses per kilowatt used. The meter output can be hard wired or connected to a transmitter in the pedestal for wireless transmission to a receiver displaying the output on a PC for direct billing of up to 1,000 individual customers

#### Features

Our meter is designed to be user friendly in that all connections from external sources and the meter output are through one 14-pin locking connector. This feature eliminates many common problems, such as reverse line polarity and improper coil polarity. Simple LEDs, both red and green, indicate line and load condition and the pulsed LED indicates the rate of power consumption.

#### Wireless System

All of our meters are “wireless capable” to allow for wireless meter reading. This technology enables the marina or RV park to get meter readings from one central location rather than visiting every site to read the counters.

#### Meter Socket Capabilities

Meter sockets are available on the Powerhouse and Powerhouse–SS.

#### Standard:

- Four jaw
- Ring-type
- 100A

### Contents

<i>Description</i>	<i>Page</i>
Power Pedestals . . . . .	312
Powerhouse Power Pedestal . . . . .	314
Powerhouse—Stainless Steel (SS) Power Pedestal . . . . .	317
Newport Camp Mate Power Pedestal . . . . .	320
Park Light Power Pedestal . . . . .	323
Firehouse . . . . .	326
Digital Electronic Kilowattour Meters	
Distribution Equipment—Ground Fault Monitor . . . . .	329
Distribution Equipment—Substations . . . . .	330
Distribution Equipment—Panels . . . . .	333
Distribution Equipment—Transformers . . . . .	334

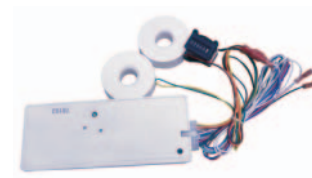
#### Available Options

- 200A (SS only)
- Lockable hasp
- Ringless (SS only)
- Five jaw
- Seven jaw (SS only)

#### Product Selection



*One Element Meter*

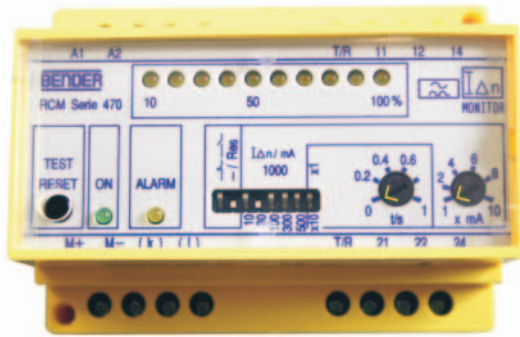


*Two Element Meter*



*Three Element Meter*

## Ground Fault Monitor



## Contents

<i><b>Description</b></i>	<i><b>Page</b></i>
Power Pedestals . . . . .	312
Powerhouse Power Pedestal . . . . .	314
Powerhouse—Stainless Steel (SS) Power Pedestal . . . . .	317
Newport Camp Mate Power Pedestal . . . . .	320
Park Light Power Pedestal . . . . .	323
Firehouse . . . . .	326
Digital Electronic Kilowatthour Meters . . . . .	328
Distribution Equipment—Ground Fault Monitor	
Distribution Equipment—Substations . . . . .	330
Distribution Equipment—Panels . . . . .	333
Distribution Equipment—Transformers . . . . .	334

## Distribution Equipment—Ground Fault Monitor

## Product Description

New to our product offering are ground fault monitoring systems designed to detect fault currents in the AC shore power system that are too low to trip a circuit breaker. The Ground Fault Monitor helps reduce the risk of injury or property damage, which may result from stray fault currents. Our ground fault monitoring system provides information to the maintenance staff on the overall condition of the AC electrical system. The ground fault monitoring system operates 24 hours a day and can be monitored by non-technical personnel.

## Features

- UL listed current transformers
- Adjustable trip level 10 mA to 10A
- Current transformers up to 8 1/4-inch diameter
- Visual and/or audible alarm
- Housing of fiberglass or powder coated stainless steel available

## Power Guard

The ground fault monitor detects ground fault currents by means of current transformers (CT), which are placed around main or branch circuits. If a ground fault occurs, the CT will detect the amount of fault current and send a signal to the ground fault monitoring device where the amount of fault current is displayed with the faulty circuit identified. The detected fault can either activate an indicator alarm or disconnect the faulted circuit.



#### Substations



*Side-by-Side Substation*

6

### Distribution Equipment—Substations

#### Product Description

The introduction of substations into the marina and recreational vehicle market allows Eaton to be your complete marina and RV park electrical products supplier. We are able to assist in the design and layout of your marina or RV park electrical system from the primary service provider to your power pedestal. Our substations are designed for any coastal or inland environment and are constructed of powder-coated stainless steel NEMA 3R housing cabinets. All substation cabinets come with our limited lifetime warranty. All of our substations use Eaton's panels and circuit breakers, providing our customers the utmost in circuit protection and quality.

#### Application Description

The aluminum and Galvaneal cabinets are recommended for inland applications. The substations can be configured with 50 to 330 kVA single-phase or three-phase copper wound transformers and up to 20 single-phase or 12 three-phase branch breakers. An optional three-sided double-wall cabinet is available that provides air flow between the panels. All substations come standard with temperature-controlled cooling fans.

### Contents

<i>Description</i>	<i>Page</i>
Power Pedestals . . . . .	312
Powerhouse Power Pedestal . . . . .	314
Powerhouse—Stainless Steel (SS) Power Pedestal . . . . .	317
Newport Camp Mate Power Pedestal . . . . .	320
Park Light Power Pedestal . . . . .	323
Firehouse . . . . .	326
Digital Electronic Kilowatt-hour Meters . . . . .	328
Distribution Equipment—Ground Fault Monitor . . . . .	329
Distribution Equipment—Substations	
Features, Benefits and Functions . . . . .	331
Available Options . . . . .	332
Standards and Certifications . . . . .	332
Dimensions . . . . .	332
Distribution Equipment—Panels . . . . .	333
Distribution Equipment—Transformers . . . . .	334

### Product Selection Guide

#### Panel and Transformer Combinations

Panel	Transformer
<b>Single-Phase</b>	
200A	50 kVA
300A	75 kVA
400A	100 kVA
600A	150 kVA
700A	167.5 kVA
800A	200 kVA
1000A	250 kVA
1200A	330 kVA
<b>Three-Phase</b>	
100A	45 kVA
200A	75 kVA
300A	112.5 kVA
400A	150 kVA
600A	225 kVA
800A	300 kVA

**Features, Benefits and Functions**

- Limited lifetime warranty on the housing
- All stainless steel hardware
- Temperature controlled cooling fans in the transformer and circuit breaker compartments
- Lockable door

**Ventilation**

The substation ventilation is designed to optimize air circulation over and around the transformers and through the panel compartment so that the substation operates at lower temperatures.

Substations come equipped with temperature-controlled cooling fans for exhausting hot air from the cabinet and solar shield.

In addition, substations are available with a double-walled cabinet and solar shield, which allow for cooling of both the exterior surface of the cabinet and the internal components.

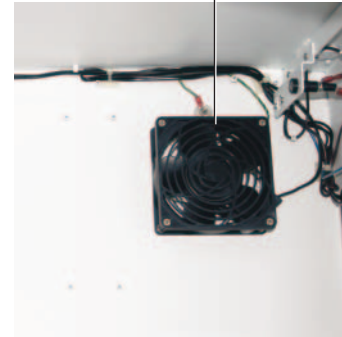
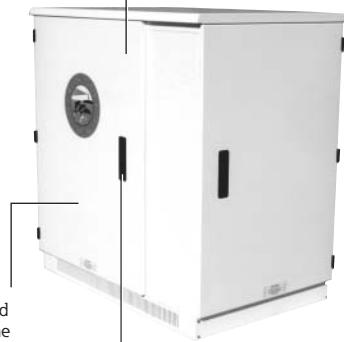
**Substations**

Stainless steel housing with polyester powder coating

Limited lifetime warranty on the housing

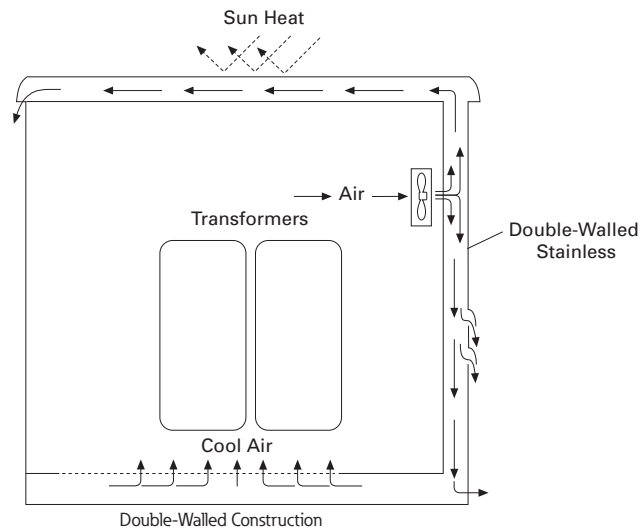
Stainless steel hardware with locking doors

Temperature-controlled fans for cooling



Custom made to your specifications:  
Single-phase or three-phase copper wound transformers  
50 to 330 kVA

Up to 1200A main circuit breaker with  
20 single-phase or 12 three-phase  
branch circuit breakers



**Available Options**

- Powder-coated cabinets made of stainless steel or fiberglass
- Limited lifetime warranty on housing. Transformer and secondary distribution panel in a single enclosure have a one-year limited warranty
- Stainless steel housing and hardware with locking doors
- Single-phase and three-phase models
- Overload capacity meets ANSI L57.96-01.250
- Optional double-walled construction
- Temperature-controlled fans for cooling
- Custom-made copper wound single-phase or three-phase transformers from 50 to 330 kVA
- Up to 1200A main circuit breaker with 15 single-phase branch circuit breakers or 10 three-phase branch circuit breakers
- Substations can be equipped with photocells to turn on and off lights
- A 20A GFI can be installed in the cabinet, as well as a ground fault monitoring system

**Standards and Certifications**

- cULus listed

**Dimensions**

Approximate Dimensions in Inches (mm)

**Substations****Standard Substation**

Height	53.00 (1346.2)
Width	51.00 (1295.4)
Depth	33.00 (838.2)

**Side-by-Side Substation**

Height	53.00 (1346.2)
Width	66.00 (1676.4)
Depth	30.00 (762.0)

**Double Panel Substation**

Height	53.00 (1346.2)
Width	63.00 (1600.2)
Depth	33.00 (838.2)

Panels



Contents

<i>Description</i>	<i>Page</i>
Power Pedestals . . . . .	312
Powerhouse Power Pedestal . . . . .	314
Powerhouse—Stainless Steel (SS) Power Pedestal . . . . .	317
Newport Camp Mate Power Pedestal . . . . .	320
Park Light Power Pedestal . . . . .	323
Firehouse . . . . .	326
Digital Electronic Kilowatthour Meters . . . . .	328
Distribution Equipment—Ground Fault Monitor . . . . .	329
Distribution Equipment—Substations . . . . .	330
Distribution Equipment—Panels . . . . .	
Distribution Equipment—Transformers . . . . .	334

Distribution Equipment—Panels

Product Description

We now can offer our customers Eaton’s PRL-3A and PRL-4 panels as stand-alone units or in one of our substations. All of our busses are made of copper and are load rated, breakers are bolt-on type. Distribution panels can be single-phase or three-phase based on your system requirements. Distribution panels can also have a main breaker or a main lug. Branch circuit breakers are provided based on customer requirements.

Features

- All internal wiring is fine stranded 2000V insulated copper
- Copper bus bars
- All exterior hardware is stainless steel

Available Options

- NEMA 3R or 4X
- Powder-coated stainless steel
- Main breaker up to 1200A
- Branch breaker 20 to 1200A
- Main lug only
- We also offer 480V models—single-phase and three-phase

Standards and Certifications

- UL listed
- cULus listed



Single-Phase

- Up to 1200A main circuit breakers
- Up to 42 branch circuit breakers

Three-Phase

- Up to 1200A main circuit breakers
- Up to 42 branch circuit breakers

#### Transformers



#### Contents

<i>Description</i>	<i>Page</i>
Power Pedestals . . . . .	312
Product Selection Guide . . . . .	313
Powerhouse Power Pedestal . . . . .	314
Powerhouse—Stainless Steel (SS) Power Pedestal . . . . .	317
Newport Camp Mate Power Pedestal . . . . .	320
Park Light Power Pedestal . . . . .	323
Firehouse . . . . .	326
Digital Electronic Kilowatt-hour Meters . . . . .	328
Distribution Equipment—Ground Fault Monitor . . . . .	329
Distribution Equipment—Substations . . . . .	330
Distribution Equipment—Panels . . . . .	333
Distribution Equipment—Transformers	

### Distribution Equipment—Transformers

#### Product Description

Because of the high humidity and corrosive conditions of coastal environments, our transformers are wound with Class H heavily insulated copper bar and are double dipped in tough insulating varnish that protects the copper, as well as reduces the hum that is typical in a transformer that is not double dipped. For marine applications, we provide a third overcoat of high temperature epoxy to protect against the severe saltwater environment. We can provide this transformer in single-phase, from 50–500 kVA, and three-phase, from 45–300 kVA.

#### Features

- Copper wound transformer coils double dipped in high temperature baking varnish
- Copper terminations
- Marine transformers with epoxy overcoat
- All copper-to-copper connections

#### Available Options

- Single-phase: 50–500 kVA
- Three-phase: 45–300 kVA
- Epoxy overcoat for non-marine applications

#### Standards and Certifications

- cULus listed



#### Primary Voltages

- 480 wye three-phase
- 480V three-phase delta three-wire + ground
- 480V single-phase two-wire + ground

#### Secondary Voltages

- 127/220V three-phase wye four-wire
- 120/208V three-phase wye four-wire
- 120/240V single-phase three-wire

#### Marina Power Distribution Transformer kVA Availabilities

- Single-phase: 50, 75, 100, 150, 167.5, 200, 250, 330, 500 kVA
- Three-phase: 45, 75, 112.5, 150, 225, 300 kVA

Marina Power and Lighting Equipment



High-Quality, Weatherproof Electrical Equipment

Contents

<i>Description</i>	<i>Page</i>
Power Pedestals	
Product Selection Guide . . . . .	336
Lighthouse . . . . .	338
Lighthouse-SS . . . . .	342
Admiral-SS . . . . .	346
Newport Harbor Mate . . . . .	349
Hatteras Light. . . . .	353
Firehouse . . . . .	357
Smart Start . . . . .	363
Mariner . . . . .	364
Digital Electronic Kilowatthour Meters . . . . .	365
Distribution Equipment—Ground Fault Monitor . . . . .	366
Distribution Equipment—Mega Yacht Powerpoint . . . . .	367
Distribution Equipment—Substations . . . . .	370
Distribution Equipment—Panels . . . . .	373
Distribution Equipment—Transformers . . . . .	374



Power Pedestals

Product Overview

Known as a leader in electrical control, power distribution, and industrial automation products and services, Eaton is a quality driven company that constantly looks for ways to provide enhanced product and service solutions for their customers. Eaton will be able to provide Marina developers a complete electrical solution. For more information on the other products available from Eaton, visit us online at [www.eaton.com](http://www.eaton.com) or [www.marinapower.com](http://www.marinapower.com).

**What Eaton has to Offer**

- Eaton has more marina power outlets in service than all other suppliers combined
- We offer complementary comprehensive in-house electrical designs for your complete marina development using all high quality Eaton products
- We can provide your marina development with complete remote wireless digital electronic meter reading
- Not only can Eaton provide your marina with the highest quality power pedestals and marine distribution equipment, we can also supply your entire electrical needs for your surrounding development and beyond from safety switches to loadcenters and much more

## Product Selection Guide

## Power Pedestal Quick Guide

	Lighthouse	Lighthouse-SS	Hatteras Light	Newport Harbor Mate	Admiral-SS	Firehouse	Mariner	Lookout	Power Point
Main housing	Engineered resin	Stainless steel	Engineered resin	Engineered resin	Stainless steel	Stainless steel	Engineered resin	Stainless steel	Stainless steel
Top	Engineered resin	Engineered resin	Engineered resin	Engineered resin	Stainless steel	Engineered resin	Engineered resin	Stainless steel	Stainless steel
Optional stand	—	—	—	Stainless steel	—	—	PVC	—	—
External hardware	Stainless steel	Stainless steel	Stainless steel	Stainless steel	Stainless steel	Stainless steel	Stainless steel	Stainless steel	Stainless steel
Standard lightwattage(s)	13W	13W	13W	7W	13W	13W	5W, 7W & 13W	—	13W
LED lighting option	Yes	Yes	Yes	No	Yes	Yes	No	No	Yes
Photocell	Yes	Yes	Yes	Yes	Yes	Yes	No	No	Yes
Lockable doors	Yes	Yes	Yes	Yes	Yes	—	—	—	Yes
Hose hangers	Yes	Yes	No	No	Yes	No	No	No	No
Electric meters	Yes—up to 4	Yes—up to 4	Yes—up to 2	Yes—up to 2	Yes—up to 4	No	No	No	Yes—up to 6
Remote meter reading	Yes	Yes	Yes	Yes	Yes	No	No	No	Yes
Water	Two 3/4"	Two 3/4"	Two 1/2"	Two 3/4"	Two 3/4"	None	None	None	One 3/4" or more
Water meters	Yes	Yes	No	Yes	Yes	No	No	No	Yes
Telephone	Yes	Yes	Yes	Yes	Yes	No	No	No	Yes
Cable TV	Yes	Yes	Yes	Yes	Yes	No	No	No	Yes
Internet	Yes	Yes	Yes	Yes	Yes	No	No	No	Yes
Fire extinguisher	No	No	No	No	No	Yes—up to 20 lbs	No	No	No
Life ring	No	No	No	No	No	Yes—24"	No	No	No
Alarm and strobe light	No	No	No	No	No	Yes	No	No	No
20A 110V GFI	Yes	Yes	Yes	Yes	Yes	No	No	No	Yes
30A 125V twist—lock	Yes	Yes	Yes	Yes	Yes	No	No	No	Yes
50A 125/250V twist—lock	Yes	Yes	Yes	Yes	Yes	No	No	No	Yes
100A 120/240V pin and sleeve	Yes	Yes	No	No	Yes	No	No	No	Yes
100A 120/208V pin and sleeve	Yes	Yes	No	No	Yes	No	No	No	Yes
100A 277/480V pin and sleeve	Yes	Yes	No	No	Yes	No	No	No	Yes
100A 480V pin and sleeve	Yes	Yes	No	No	Yes	No	No	No	Yes
200A 480V pin and sleeve	No	No	No	No	Yes	No	No	No	Yes
Hardwire compatible	No	No	No	No	No	No	No	No	Yes
TVSS compatible	Yes	Yes	No	No	Yes	No	No	No	Yes
Card swipe compatible	Yes	Yes	No	Yes	Yes	No	No	No	Yes
Security camera compatible	No	No	No	No	No	No	No	Yes	No
Bus bar rating	Up to 500A	Up to 500A	Up to 140A	Up to 140A	Up to 500A	—	—	—	Up to 800A
Maximum wire size—single feed	350 kcmil	350 kcmil	#2/0	#2/0	350 kcmil	—	—	—	(3) 500 kcmil
Maximum wire size—loop feed	#4/0	#4/0	#1	#1	350 kcmil	—	—	—	(3) 500 kcmil
Height	44"	40"	30"	36"	48"	43.5"	24" to 72"	72" to 96"	50"
Width	13.75"	9.875"	7.5"	10.5"	14"	9.875"	7"	9"	50"
Depth	13.75"	9.875"	7.5"	14.5"	14"	9.875"	7"	9"	36"
<b>Warranty</b>									
Housing	Limited lifetime	Limited lifetime	Limited lifetime	Limited lifetime	Limited lifetime	Limited lifetime	Limited lifetime	Limited lifetime	Limited lifetime
Receptacles and breakers	2 years	2 years	2 years	2 years	2 years	—	—	—	2 years
Lighting assembly	1 year	1 year	1 year	1 year	1 year	1 year	1 year	—	1 year

**Receptacles**

Side One		Side Two	
None	None	None	None
30A	None	None	None
30A	30A	None	None
30A	None	30A	None
30A	30A	30A	30A
30A	50A	None	None
30A	None	50A	None
30A	50A	30A	50A
50A	None	None	None
50A	50A	None	None
50A	None	50A	None
50A	50A	50A	50A
100A 120/240V	None	None	None
100A 120/240V	None	50A-50A	None
100A 120/240V	None	100A 120/240V	None
100A 120/240V	50A-50A	100A 120/240V	50A-50A
100A 120/208V	None	None	None
100A 120/208V	None	100A 120/240V	None
100A 120/240V	100A 120/240V	100A 120/240V	100A 120/240V
100A 120/208V	100A 120/208V	100A 120/208V	100A 120/208V
100A 120/240V	100A 120/240V	100A 120/208V	100A 120/208V

**Receptacle Configuration Availability**

Lighthouse	Lighthouse-SS	Admiral-SS	Hatteras Light	Newport Harbor Mate
<b>Receptacle Available with GFI Receptacles</b>				
Yes	Yes	Yes	Yes	Yes
Yes	Yes	Yes	Yes	Yes
Yes	Yes	Yes	No	Yes
Yes	Yes	Yes	Yes	No
Yes	Yes	Yes	No	No
Yes	Yes	Yes	No	Yes
Yes	Yes	Yes	Yes ①	No
Yes	Yes	Yes	No	No
Yes	Yes	Yes	Yes	Yes
Yes	Yes	Yes	No	Yes
Yes	Yes	Yes	No	No
Yes	Yes	Yes	No	No
Yes	Yes	Yes	No	No
Yes	Yes	Yes	No	No
No	No	Yes	No	No
Yes	Yes	Yes	No	No
Yes	Yes	Yes	No	No
No	No	Yes	No	No
No	No	Yes	No	No
No	No	Yes	No	No

**Note**

① Configuration available with no additional GFI receptacles.



Lighthouse



6

## Contents

<i><b>Description</b></i>	<i><b>Page</b></i>
Power Pedestals . . . . .	<b>335</b>
Lighthouse	
Available Options . . . . .	<b>339</b>
Catalog Number Selection . . . . .	<b>340</b>
Accessories . . . . .	<b>341</b>
Dimensions . . . . .	<b>341</b>
Lighthouse-SS . . . . .	<b>342</b>
Admiral-SS . . . . .	<b>346</b>
Newport Harbor Mate . . . . .	<b>349</b>
Hatteras Light . . . . .	<b>353</b>
Firehouse . . . . .	<b>357</b>
Smart Start . . . . .	<b>363</b>
Mariner . . . . .	<b>364</b>
Digital Electronic Kilowatthour Meters . . . . .	<b>365</b>
Distribution Equipment—Ground Fault Monitor . . . . .	<b>366</b>
Distribution Equipment—Mega Yacht Powerpoint . . . . .	<b>367</b>
Distribution Equipment—Substations . . . . .	<b>370</b>
Distribution Equipment—Panels . . . . .	<b>373</b>
Distribution Equipment—Transformers . . . . .	<b>374</b>

## Lighthouse

### Product Description

One of our most popular units, the all-purpose Lighthouse® pedestal has a wide range of features. With units in service around the world, this stylish power pedestal is recognized for its practicality and exceptional durability.

Engineered to withstand the most severe weather conditions, Lighthouse power pedestals can be found in marinas from Alaska to the tropics.

**Note:** Custom paint color.

**Note:** Wireless remote reading of electronic kilowatt meters.

**Note:** Clear lens.

### Features, Benefits and Functions

- Photocell controlled 13 watt fluorescent light (clear lens or amber lens for bug reduction)
- Lockable weatherproof doors that protect breakers and receptacles while in use (a requirement of NFPA 303 and NEC Article 555)
- Hose and cable brackets
- Heavy resin housing with a two-part polyurethane coating for a UV-resistant, long-lasting finish
- Copper bus bar with ratings from 250 to 500A
- New “hingeless” base providing easy access for both installation and maintenance
- Backlit faceplate for easy receptacle plug-in at night

**Lighthouse**

360° controlled 13 watt fluorescent light with amber lens for bug reduction

Digital electronic metering for each side

Lockable weatherproof doors that protect breakers and receptacles

Receptacle configuration available 30A, 50A, 30A/30A, 30A/50A, 50A/50A, 100A, Empty

Note: Custom configurations also available

Hose and cable brackets

1/4-inch Resin housing with a two-part polyurethane coating for a UV resistant, long-lasting finish

20A/125V GFI receptacle

Phone and cable TV connections

High-speed Internet connections (RJ45) for each side

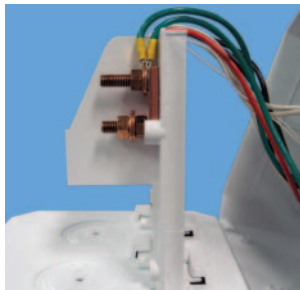


**Available Options**

- Digital electronic metering (one, two or three element meters available)
- Built-in meter socket
- 20A/125V GFI receptacle (max. of two GFI receptacles per pedestal)

**Note:** 20A GFI receptacles are not to be used for shore power.

- High-speed Internet connections
- Wireless remote metering for electric and water
- Transient voltage surge suppressor (TVSS) to protect from voltage surges, spikes or lightning on the AC power line (extends warranty on internal parts to three years)
- Stainless steel door hinge on receptacle main doors
- Single or dual steel 1/4-turn ball valves with 3/4-inches
- Hose bibs and stainless steel handles
- Single or dual phone and/or cable TV connections
- Base cap
- Base extension
- LED lighting



**Copper Bus Bar with Ratings from 250 to 500A**



**Cable and Internet Connections**



**New Hingeless Base**



**Optional Meter Socket**

#### Catalog Number Selection

6

L D U 4 7 0 0 0 0 0 0 1 2 K M

**Type**

L = Lighthouse  
S = LHSS

**Lighting and Lens Color**

A = 7W light Amber  
B = Dual 7W light Amber  
C = 9W light Amber  
D = 13W light Amber  
E = Dual 13W light Amber  
F = No lighting Amber  
G = 7W light Clear  
H = Dual 7W light Clear  
I = 9W light Clear  
J = 13W light Clear  
K = Dual 13W light Clear  
L = No lighting Clear  
M = 7W light Special  
N = Dual 7W light Special  
O = 9W light Special  
P = 13W light Special  
Q = Dual 13W light Special  
R = No lighting Special  
S = 350 MA LED Amber  
T = 700 MA LED Amber  
U = 350 MA LED Clear  
V = 700 MA LED Clear  
W = 350 MA LED Special  
Y = 700 MA LED Special

**Water Option** ①

0 = 0  
1 = 1  
2 = 2  
3 = Single water meter  
4 = Dual water meter  
5 = Single meter, 2V  
6 = 1 frost free  
7 = 2 frost free

**Phone Cable TV and Internet Options**

Phone Jack	Cable TV Jack	Internet Option
A = 1	0	0
B = 1	0	1
C = 1	0	2
D = 1	1	0
E = 1	1	1
F = 1	1	2
G = 1	2	0
H = 1	2	1
I = 1	2	2
J = 2	0	0
K = 2	0	1
L = 2	0	2
M = 2	1	0
N = 2	1	1
O = 2	1	2
P = 2	2	0
Q = 2	2	1
R = 2	2	2
S = 0	2	2
T = 0	0	1
U = 0	0	2
V = 0	1	0
W = 0	1	1
X = 0	1	2
Y = 0	2	0
Z = 0	2	1
0 = 0	0	0

**Sides and Receptacles**

R1S1	R2S1	R3S1	R4S1	R1S2	R2S2	R3S2	R4S2
0	0	0	0	0	0	0	0
1	1	1	1	1	1	1	1
2	2	2	2	2	2	2	2
3	3	3	3	3	3	3	3
4	4	4	4	4	4	4	4
5	5	5	5	5	5	5	5
6	6	6	6	6	6	6	6
7	7	7	7	7	7	7	7
8	8	8	8	8	8	8	8

0 = None  
1 = 20A GFI duplex  
2 = 30A, 125V  
3 = 50A, 125V  
4 = 50A, 125/250V  
5 = 100A, 208V  
6 = 100A, 250V  
7 = 100A, 277/480V  
8 = 100A, 480V

**Extra Unmetered GFI Receptacles** ②

0 = None  
1 = 1  
2 = 2

**Metering Type**

U = Unmetered  
D = Digital electronic meters (side one)  
T = Digital electronic meters (side two)  
B = Digital electronic meters (both sides)  
R = Receptacles metered individually  
M = One meter socket (100A)  
N = Two meter socket (100A each)  
V = 200A meter socket

**Bus**

S = Single-phase 3/8-inch copper bus bar  
F = Three-phase 3/8-inch copper bus bar  
C = Single-phase 3/8-inch Canadian bus bar  
T = Three-phase 3/8-inch Canadian bus bar  
M = Single-phase 300 kcmil mechanical lug bus  
Z = Three-phase 300 kcmil mechanical lug bus  
L = Single-phase 350 kcmil mechanical lug bus  
P = Three-phase 350 kcmil mechanical lug bus  
N = Single-phase 1/4-inch copper bus bar  
Q = Single-phase 1/4-inch split mechanical bus bar

Receptacle: R1S1 = Receptacle 1, Side 1  
R2S1 = Receptacle 2, Side 1  
R1S2 = Receptacle 1, Side 2  
R2S2 = Receptacle 2, Side 2

**Notes**

- ① Number represents the quantity of 1/4-turn ball valves with 3/4-inch hose bibs.
- ② Quantity of 20A GFI duplex receptacles.

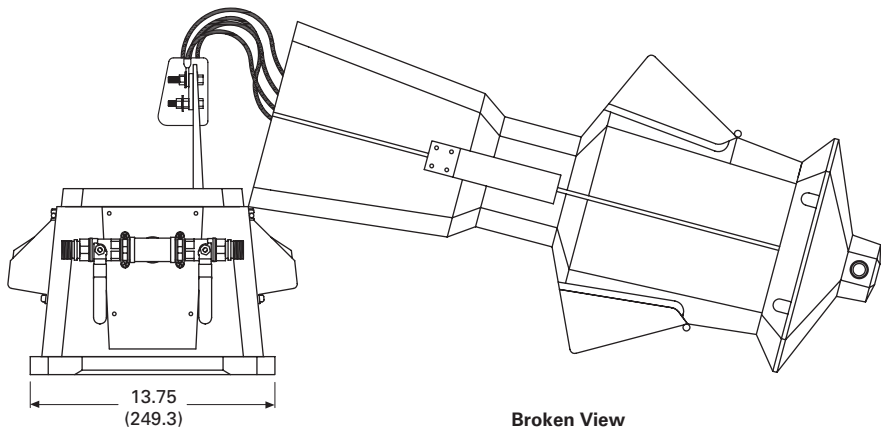
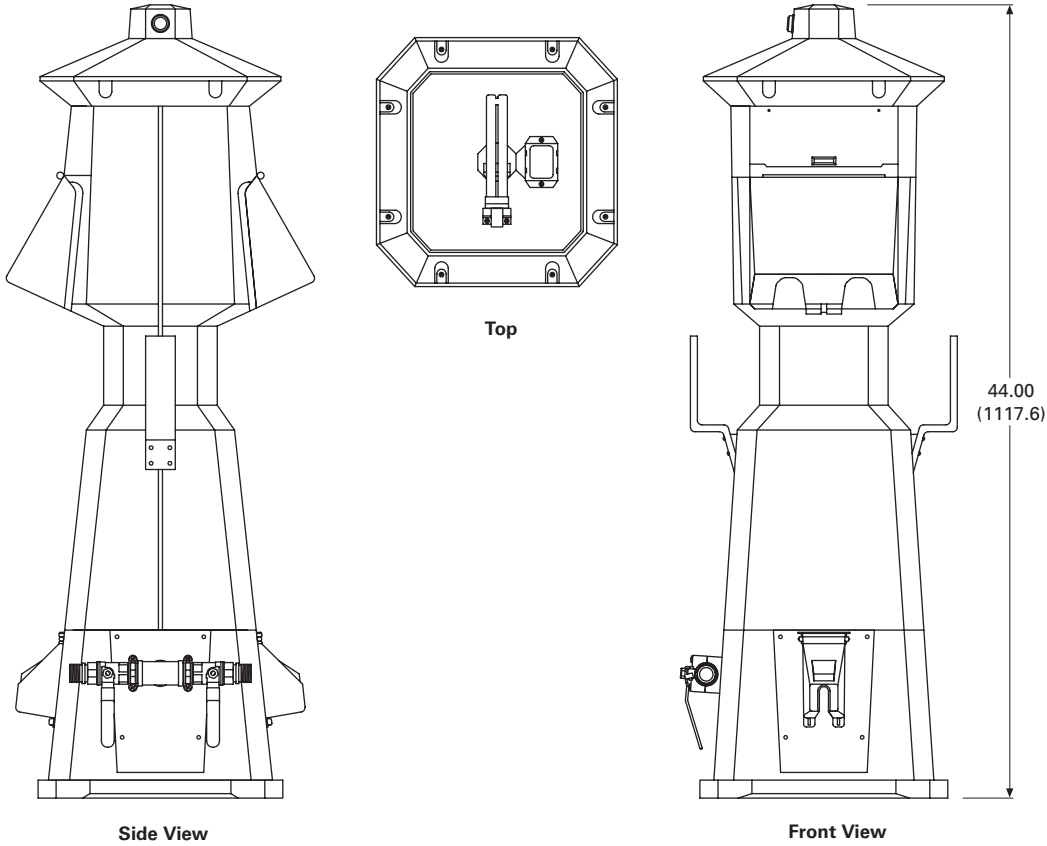
**Accessories**

See **Page 359**.

**Dimensions**

Approximate Dimensions in Inches (mm)

**Lighthouse**



Lighthouse-SS



6

### Lighthouse-SS

#### Product Description

The Lighthouse-SS offers the same standard features and available options as the standard Lighthouse. But, like all of the stainless steel products manufactured here, the Lighthouse-SS is made with high-quality 316L stainless steel for superior quality and performance.

**Note:** 20/125A GFI receptacle.

**Note:** Wireless remote reading of electronic kilowatt meters.

**Note:** Clear lens.

**Note:** Meter socket for each side powered (to accept glass style meter).

**Note:** Receptacle configurations available:

- 30A
- 30A/30A
- 30A/50A
- 50A/50A
- 100A (single-phase) 120/240V
- 100A (three-phase) 120/208V
- 200A (three-phase) 480V

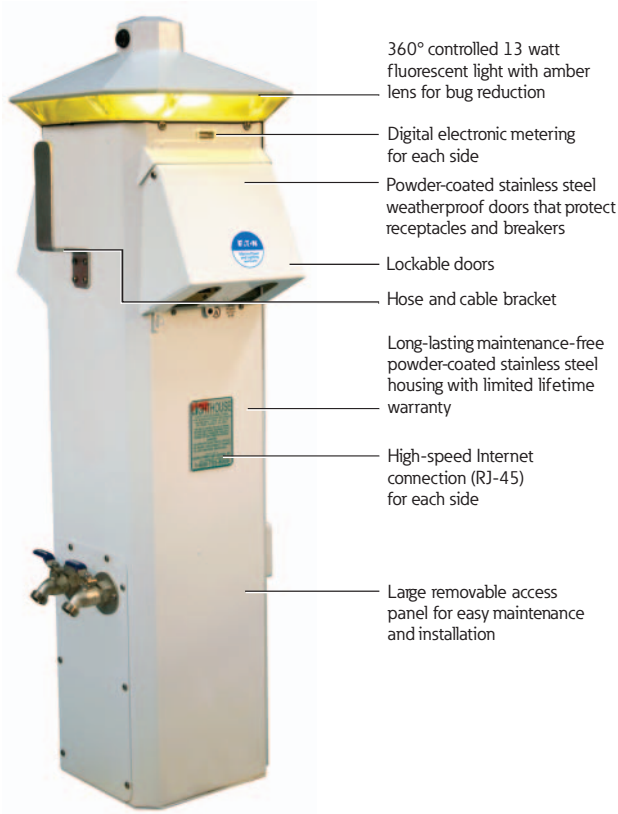
#### Features, Benefits and Functions

- Photocell controlled 13 watt fluorescent light (clear lens or amber lens for bug reduction)
- Available with lockable weatherproof doors
- Hose and cable brackets
- Long-lasting maintenance-free 316L stainless steel housing with limited lifetime warranty
- Copper bus bar with ratings from 250 to 500A
- Large removable access panel for easy maintenance and installation
- Backlit faceplate for easy receptacle plug-in at night

### Contents

<i>Description</i>	<i>Page</i>
Power Pedestals . . . . .	335
Lighthouse . . . . .	338
Lighthouse-SS	
Available Options . . . . .	343
Catalog Number Selection . . . . .	344
Accessories . . . . .	345
Dimensions . . . . .	345
Admiral-SS . . . . .	346
Newport Harbor Mate . . . . .	349
Hatteras Light . . . . .	353
Firehouse . . . . .	357
Smart Start . . . . .	363
Mariner . . . . .	364
Digital Electronic Kilowatthour Meters . . . . .	365
Distribution Equipment—Ground Fault Monitor . . . . .	366
Distribution Equipment—Mega Yacht Powerpoint . . . . .	367
Distribution Equipment—Substations . . . . .	370
Distribution Equipment—Panels . . . . .	373
Distribution Equipment—Transformers . . . . .	374

**Lighthouse-SS**



- 360° controlled 13 watt fluorescent light with amber lens for bug reduction
- Digital electronic metering for each side
- Powder-coated stainless steel weatherproof doors that protect receptacles and breakers
- Lockable doors
- Hose and cable bracket
- Long-lasting maintenance-free powder-coated stainless steel housing with limited lifetime warranty
- High-speed Internet connection (RJ-45) for each side
- Large removable access panel for easy maintenance and installation

**Available Options**

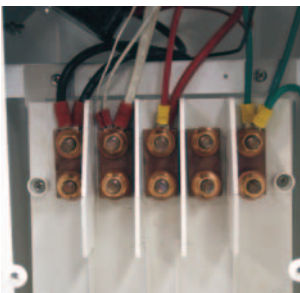
- Digital electronic metering (one, two or three element meters available)
  - 20A/125V GFI receptacle (max. of two GFI receptacles per pedestal)
- Note:** 20A GFI receptacles are not to be used for shore power.
- High-speed Internet connection
  - Wireless remote metering available for water and electricity
  - Transient voltage surge suppressor (TVSS) to protect from voltage surges, spikes or lightning on the AC power line (extends warranty on internal parts to three years)
  - Single or dual phone and/or cable TV connections
  - Single or dual 3/4-inch hose bibs with stainless steel
  - Handles LED lighting



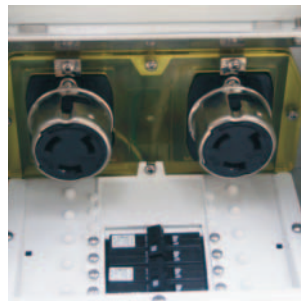
*Phone and Cable TV Connections*



*New Door*



*Copper Bus Bar with Ratings from 250 to 500A*



*Backlit Faceplate to Aid in Hooking Up at Night*

#### Catalog Number Selection

6

L D U 4 7 0 0 0 0 0 0 1 2 K M

**Type**

**L** = Lighthouse  
**S** = LHSS

**Lighting and Lens Color**

<b>A</b>	= 7W light	Amber
<b>B</b>	= Dual 7W light	Amber
<b>C</b>	= 9W light	Amber
<b>D</b>	= 13W light	Amber
<b>E</b>	= Dual 13W light	Amber
<b>F</b>	= No lighting	Amber
<b>G</b>	= 7W light	Clear
<b>H</b>	= Dual 7W light	Clear
<b>I</b>	= 9W light	Clear
<b>J</b>	= 13W light	Clear
<b>K</b>	= Dual 13W light	Clear
<b>L</b>	= No lighting	Clear
<b>M</b>	= 7W light	Special
<b>N</b>	= Dual 7W light	Special
<b>O</b>	= 9W light	Special
<b>P</b>	= 13W light	Special
<b>Q</b>	= Dual 13W light	Special
<b>R</b>	= No lighting	Special
<b>S</b>	= 350 MA LED	Amber
<b>T</b>	= 700 MA LED	Amber
<b>U</b>	= 350 MA LED	Clear
<b>V</b>	= 700 MA LED	Clear
<b>W</b>	= 350 MA LED	Special
<b>Y</b>	= 700 MA LED	Special

**Sides and Receptacles**

	R1S1	R2S1	R3S1	R4S1	R1S2	R2S2	R3S2	R4S2
<b>0</b>	0	0	0	0	0	0	0	0
<b>1</b>	1	1	1	1	1	1	1	1
<b>2</b>	2	2	2	2	2	2	2	2
<b>3</b>	3	3	3	3	3	3	3	3
<b>4</b>	4	4	4	4	4	4	4	4
<b>5</b>	5	5	5	5	5	5	5	5
<b>6</b>	6	6	6	6	6	6	6	6
<b>7</b>	7	7	7	7	7	7	7	7
<b>8</b>	8	8	8	8	8	8	8	8

**0** = None  
**1** = 20A GFI duplex  
**2** = 30A, 125V  
**3** = 50A, 125V  
**4** = 50A, 125/250V  
**5** = 100A, 208V  
**6** = 100A, 250V  
**7** = 100A, 277/480V  
**8** = 100A, 480V

**Water Option** ①

**0** = 0  
**1** = 1  
**2** = 2  
**3** = Single water meter  
**4** = Dual water meter  
**5** = Single meter, 2V  
**6** = 1 frost free  
**7** = 2 frost free

**Extra Unmetered GFI Receptacles** ②

**0** = None  
**1** = 1  
**2** = 2

**Phone Cable TV and Internet Options**

	Phone Jack	Cable TV Jack	Internet Option
<b>A</b>	= 1	0	0
<b>B</b>	= 1	0	1
<b>C</b>	= 1	0	2
<b>D</b>	= 1	1	0
<b>E</b>	= 1	1	1
<b>F</b>	= 1	1	2
<b>G</b>	= 1	2	0
<b>H</b>	= 1	2	1
<b>I</b>	= 1	2	2
<b>J</b>	= 2	0	0
<b>K</b>	= 2	0	1
<b>L</b>	= 2	0	2
<b>M</b>	= 2	1	0
<b>N</b>	= 2	1	1
<b>O</b>	= 2	1	2
<b>P</b>	= 2	2	0
<b>Q</b>	= 2	2	1
<b>R</b>	= 2	2	2
<b>S</b>	= 0	2	2
<b>T</b>	= 0	0	1
<b>U</b>	= 0	0	2
<b>V</b>	= 0	1	0
<b>W</b>	= 0	1	1
<b>X</b>	= 0	1	2
<b>Y</b>	= 0	2	0
<b>Z</b>	= 0	2	1
<b>0</b>	= 0	0	0

**Metering Type**

**U** = Unmetered  
**D** = Digital electronic meters (side one)  
**T** = Digital electronic meters (side two)  
**B** = Digital electronic meters (both sides)  
**R** = Receptacles metered individually  
**M** = One meter socket (100A)  
**N** = Two meter socket (100A each)  
**V** = 200A meter socket

**Bus**

**S** = Single-phase 3/8-inch copper bus bar  
**F** = Three-phase 3/8-inch copper bus bar  
**C** = Single-phase 3/8-inch Canadian bus bar  
**T** = Three-phase 3/8-inch Canadian bus bar  
**M** = Single-phase 300 kcmil mechanical lug bus  
**Z** = Three-phase 300 kcmil mechanical lug bus  
**L** = Single-phase 350 kcmil mechanical lug bus  
**P** = Three-phase 350 kcmil mechanical lug bus  
**N** = Single-phase 1/4-inch copper bus bar  
**Q** = Single-phase 1/4-inch split mechanical bus bar

Receptacle: R1S1 = Receptacle 1, Side 1  
R2S1 = Receptacle 2, Side 1  
R1S2 = Receptacle 1, Side 2  
R2S2 = Receptacle 2, Side 2

**Notes**

- ① Number represents the quantity of 1/4-turn ball valves with 3/4-inch hose bibs.
- ② Quantity of 20A GFI duplex receptacles.

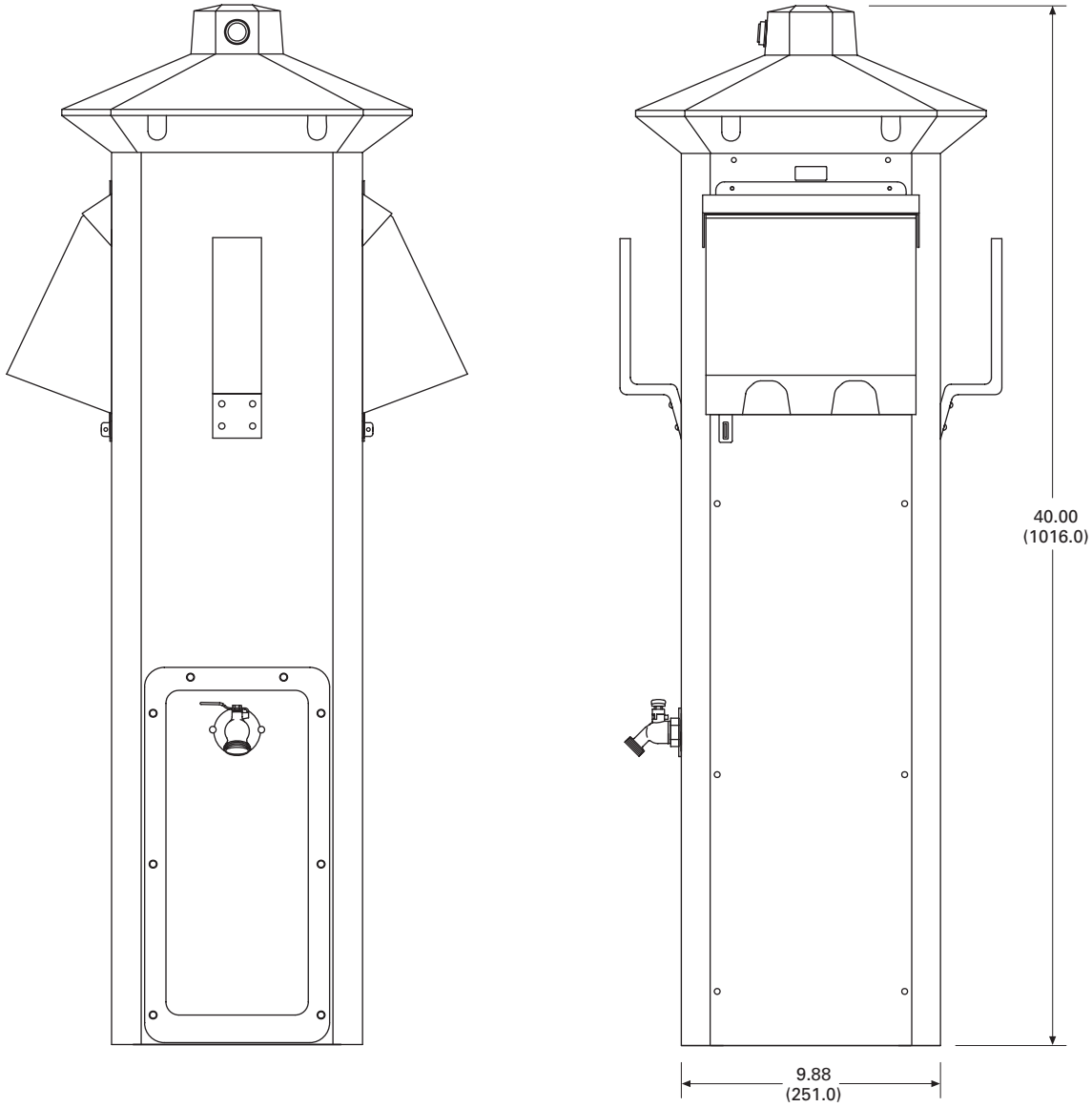
**Accessories**

See **Page 359**.

**Dimensions**

Approximate Dimensions in Inches (mm)

**Lighthouse-SS**





Admiral-SS



6

### Admiral-SS

#### Product Description

Truly the flagship of our unitized pedestal line, the Admiral-SS possesses amperage capabilities up to 500A and voltages of 480/277 three-phase, 120/240 single-phase and combinations of these receptacles all in one unit to serve nearly any size Mega Yacht.

#### Features

- Heavy 316L stainless steel housing that is powder coated with a polyester resin
- Photocell controlled 13 watt fluorescent light with clear lens that provides 360 degrees of lighting

### Contents

<i>Description</i>	<i>Page</i>
Power Pedestals . . . . .	335
Lighthouse . . . . .	338
Lighthouse-SS . . . . .	342
Admiral-SS	
Catalog Number Selection . . . . .	347
Accessories . . . . .	348
Dimensions . . . . .	348
Newport Harbor Mate . . . . .	349
Hatteras Light . . . . .	353
Firehouse . . . . .	357
Smart Start . . . . .	363
Mariner . . . . .	364
Digital Electronic Kilowatthour Meters . . . . .	365
Distribution Equipment—Ground Fault Monitor . . . . .	366
Distribution Equipment—Mega Yacht Powerpoint . . . . .	367
Distribution Equipment—Substations . . . . .	370
Distribution Equipment—Panels . . . . .	373
Distribution Equipment—Transformers . . . . .	374

#### Available Options

- Dual phone and/or cable TV connections
- Four 100A receptacles of any two voltage combinations such as 277/480 three-phase, 120/208 three-phase or 120/240 single-phase
- 200A/480V receptacles
- when the 100A 120/240V receptacles are used, two 50A 120/240V receptacles can also be provided for a total of 500A
- 20A/125V GFI receptacle (max. of two GFI receptacles per pedestal)

**Note:** 20A GFI receptacles are not to be used for shore power.

- Single or dual Cat5 high-speed Internet connections
- Single or dual water 1/4-turn ball valves with 3/4-inch hose bibs and stainless steel handles
- Digital metering available
- Wireless remote metering available for water and electricity
- LED lighting

Catalog Number Selection

A D U 4 7 0 0 0 0 0 1 2 K M

**Type**

**A** = Admiral-SS

**Lighting and Lens Color**

**A** = 7W light Amber  
**B** = Dual 7W light Amber  
**C** = 9W light Amber  
**D** = 13W light Amber  
**E** = Dual 13W light Amber  
**F** = No lighting Amber  
**G** = 7W light Clear  
**H** = Dual 7W light Clear  
**I** = 9W light Clear  
**J** = 13W light Clear  
**K** = Dual 13W light Clear  
**L** = No lighting Clear  
**M** = 7W light Special  
**N** = Dual 7W light Special  
**O** = 9W light Special  
**P** = 13W light Special  
**Q** = Dual 13W light Special  
**R** = No lighting Special  
**S** = 350 MA LED Amber  
**T** = 700 MA LED Amber  
**U** = 350 MA LED Clear  
**V** = 700 MA LED Clear  
**W** = 350 MA LED Special  
**Y** = 700 MA LED Special

**Phone Cable TV and Internet Options**

Phone Jack	Cable TV Jack	Internet Option <sup>②</sup>
<b>A</b> = 1	0	0
<b>B</b> = 1	0	1
<b>C</b> = 1	0	2
<b>D</b> = 1	1	0
<b>E</b> = 1	1	1
<b>F</b> = 1	1	2
<b>G</b> = 1	2	0
<b>H</b> = 1	2	1
<b>I</b> = 1	2	2
<b>J</b> = 2	0	0
<b>K</b> = 2	0	1
<b>L</b> = 2	0	2
<b>M</b> = 2	1	0
<b>N</b> = 2	1	1
<b>O</b> = 2	1	2
<b>P</b> = 2	2	0
<b>Q</b> = 2	2	1
<b>R</b> = 2	2	2
<b>S</b> = 0	2	2
<b>T</b> = 0	0	1
<b>U</b> = 0	0	2
<b>V</b> = 0	1	0
<b>W</b> = 0	1	1
<b>X</b> = 0	1	2
<b>Y</b> = 0	2	0
<b>Z</b> = 0	2	1
<b>0</b> = 0	0	0

**Sides and Receptacles**

R1S1	R2S1	R3S1	R4S1	R1S2	R2S2	R3S2	R4S2
0	0	0	0	0	0	0	0
1	1	1	1	1	1	1	1
2	2	2	2	2	2	2	2
3	3	3	3	3	3	3	3
4	4	4	4	4	4	4	4
5	5	5	5	5	5	5	5
6	6	6	6	6	6	6	6
7	7	7	7	7	7	7	7
8	8	8	8	8	8	8	8

0 = None  
 1 = 20A GFI duplex  
 2 = 30A, 125V  
 3 = 50A, 125V  
 4 = 50A, 125/250V  
 5 = 100A, 208V  
 6 = 100A, 250V  
 7 = 100A, 277/480V  
 8 = 100A, 480V

**Water Option <sup>①</sup>**

0 = 0  
 1 = 1  
 2 = 2  
 3 = Single water meter  
 4 = Dual water meter  
 5 = Single meter, 2V

**Extra Unmetered GFI Receptacles**

0 = None  
 1 = 1  
 2 = 2

**Metering Type**

**U** = Unmetered  
**D** = Digital electronic meters (side one)  
**T** = Digital electronic meters (side two)  
**B** = Digital electronic meters (both sides)  
**M** = One meter socket (100A)  
**N** = Two meter socket (100A each)  
**V** = 200A meter socket

**Bus**

**S** = Single-phase 3/8-inch copper bus bar  
**F** = Three-phase 3/8-inch copper bus bar  
**C** = Single-phase 3/8-inch Canadian bus bar  
**T** = Three-phase 3/8-inch Canadian bus bar  
**M** = Single-phase 300 kcmil mechanical lug bus  
**Z** = Three-phase 300 kcmil mechanical lug bus  
**L** = Single-phase 350 kcmil mechanical lug bus  
**P** = Three-phase 350 kcmil mechanical lug bus  
**N** = Single-phase 1/4-inch copper bus bar  
**Q** = Single-phase 1/4-inch split mechanical bus bar  
**D** = Dual-phase bus bar

Receptacles: R1S1 = Receptacle 1, Side 1  
 R2S1 = Receptacle 2, Side 1  
 R3S1 = Receptacle 3, Side 1  
 R4S1 = Receptacle 3, Side 1  
 R1S2 = Receptacle 1, Side 2  
 R2S2 = Receptacle 2, Side 2  
 R3S2 = Receptacle 3, Side 2  
 R4S2 = Receptacle 3, Side 2

**Notes**

① Number represents the quantity of 1/4-turn ball valves with 3/4-inch hose bibs.

② Number represents the quantity of RJ-45 high-speed Internet jacks.

Internet option also available. Contact factory for details.

# 6.5

## Power Pedestals

### Marina Power and Lighting Equipment

#### Accessories

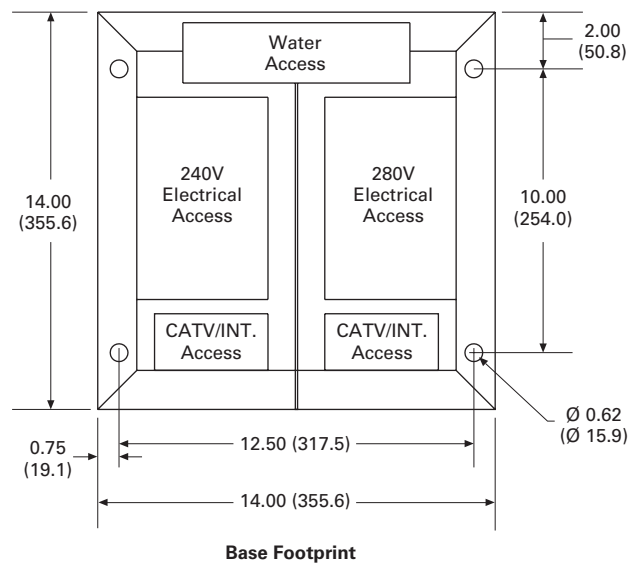
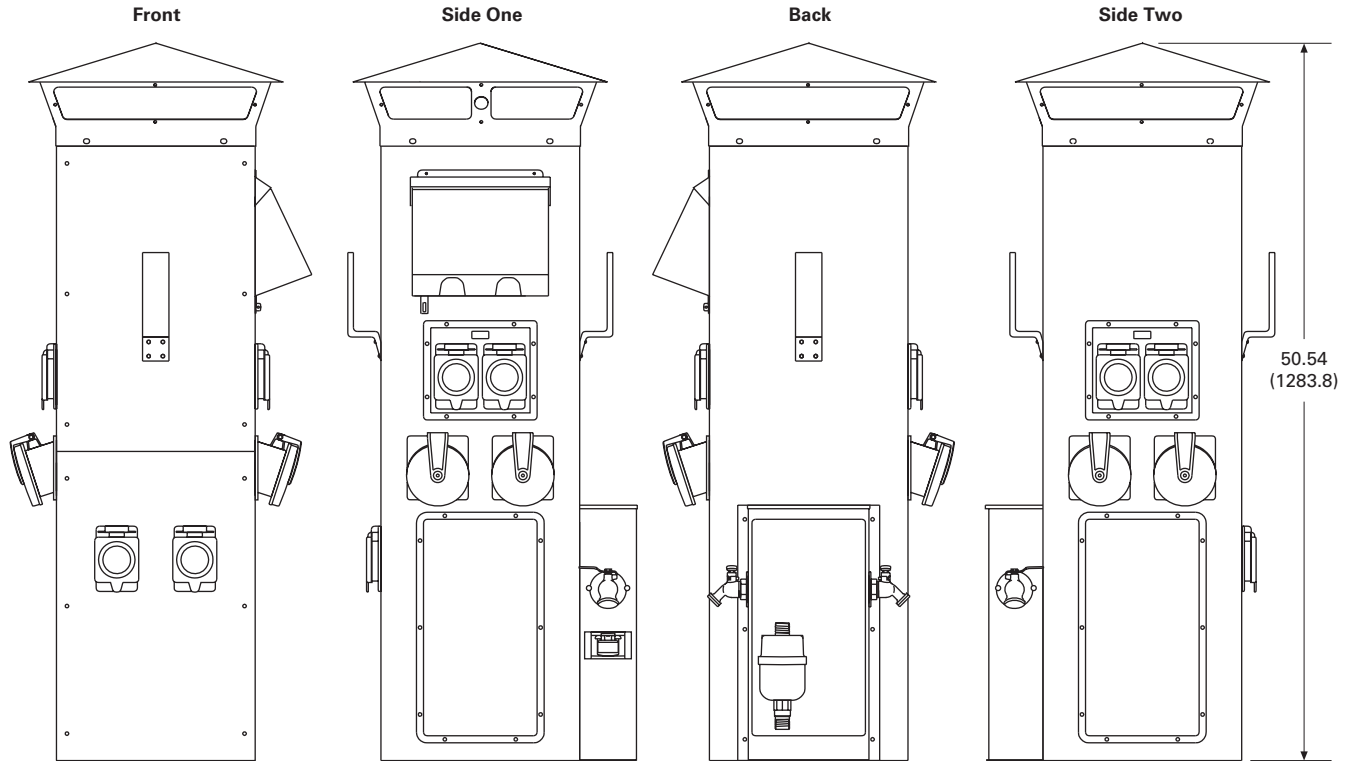
See **Page 359**.

#### Dimensions

Approximate Dimensions in Inches (mm)

#### Admiral-SS

6



Newport Harbor Mate



**Contents**

<i><b>Description</b></i>	<i><b>Page</b></i>
Power Pedestals . . . . .	335
Lighthouse . . . . .	338
Lighthouse-SS . . . . .	342
Admiral-SS . . . . .	346
Newport Harbor Mate	
Available Options . . . . .	350
Catalog Number Selection . . . . .	351
Accessories . . . . .	352
Dimensions . . . . .	352
Hatteras Light . . . . .	353
Firehouse . . . . .	357
Smart Start . . . . .	363
Mariner . . . . .	364
Digital Electronic Kilowatthour Meters . . . . .	365
Distribution Equipment—Ground Fault Monitor . . . . .	366
Distribution Equipment—Mega Yacht Powerpoint . . . . .	367
Distribution Equipment—Substations . . . . .	370
Distribution Equipment—Panels . . . . .	373
Distribution Equipment—Transformers . . . . .	374

**Newport Harbor Mate**

**Product Description**

Five years of development and 30 prototype models have yielded this unit the most innovative mini-power center available. Host to a variety of electrical services, contained in a compact yet strong housing, the Newport Harbor Mate is packed with features.

**Features, Benefits and Functions**

- Tough and durable resin housing with UV inhibitor for lasting finish
- Photocell controlled 7 and 9 watt fluorescent light (clear lens or amber lens for bug reduction)
- Designed to mount on a dock box, piling or stainless steel stand
- Copper bus bar with a maximum rating of 140A

# 6.5

## Power Pedestals

### Marina Power and Lighting Equipment

#### Newport Harbor Mate (Shown with Optional Stand)

Tough and durable resin housing with UV inhibitor for lasting finish

Available with single, dual or combo of 30 or 50A receptacles  
20A/125V GFI receptacle  
Phone, cable TV, high-speed Internet connections  
Digital electronic meter

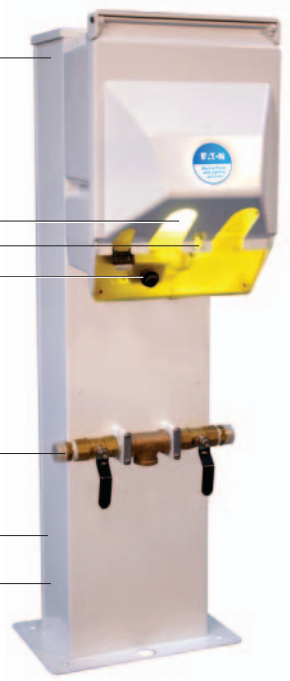
Lockable weatherproof door that protects receptacles and breakers

Photocell controlled 7 watt fluorescent light with amber lens for bug reduction

Single or dual 1/2-turn brass ball valve with 3/4-inch hose bibs

Stainless steel stand

Designed to mount on a dock box, piling, wall or optional stand (shown in photo)



#### Available Options

- Available with single, dual or combination of 30A or 50A receptacles
- 20A/125V GFI receptacle (max. of two GFI receptacles per pedestal)

**Note:** 20A GFI receptacles are not to be used for shore power.

- Single or dual phone, cable TV, high-speed Internet connections
- Electronic metering (one or two element meters available)
- 316L stainless steel stand
- LED lighting

6

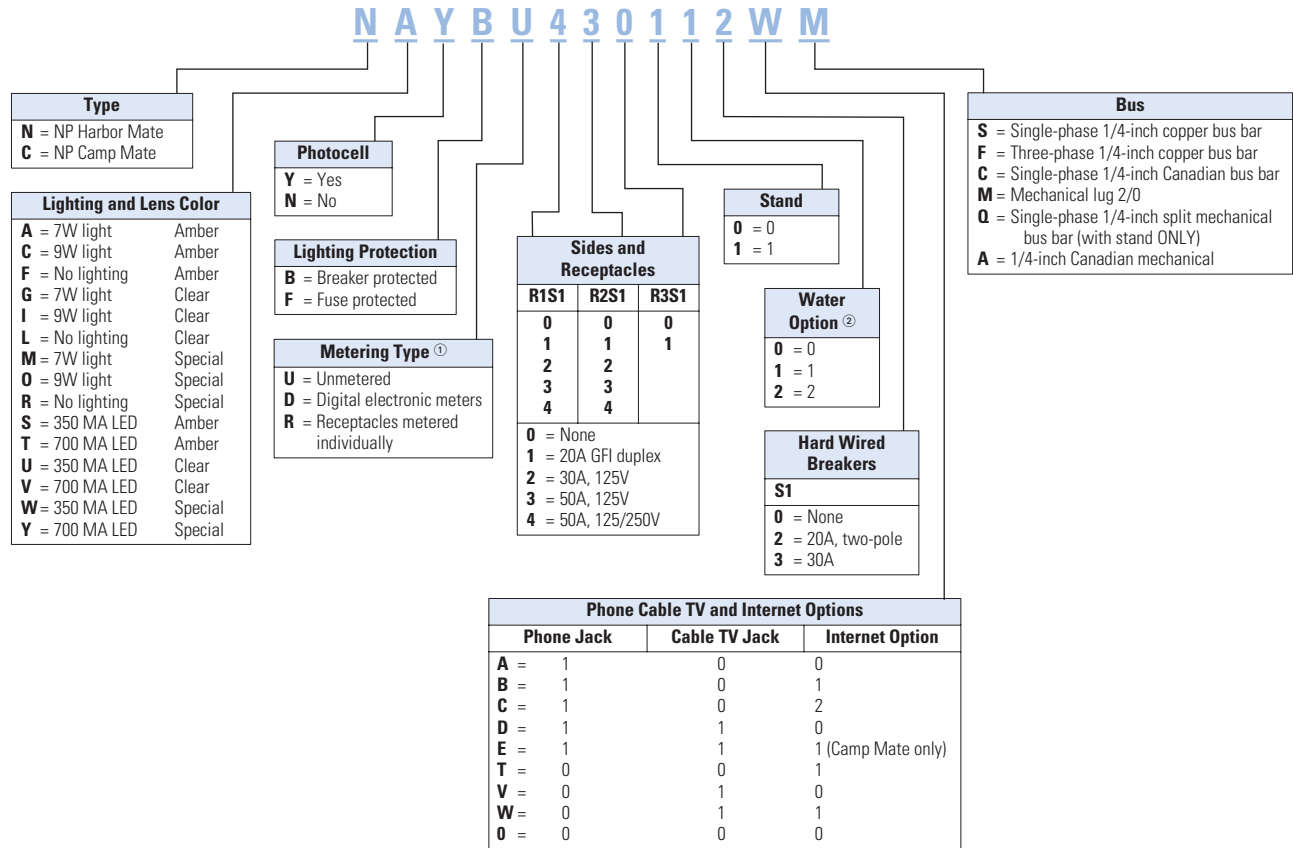


*Mounting Option*



*Backlit Faceplate*

Catalog Number Selection



Receptacles: R1 = Receptacle 1  
R2 = Receptacle 2

**Notes**

- ① 20A GFIs not metered.
- ② Number represents the quantity of 1/4-turn ball valves with 3/4-inch hose bibs (with stand only).

# 6.5

## Power Pedestals

Marina Power and Lighting Equipment

### Accessories

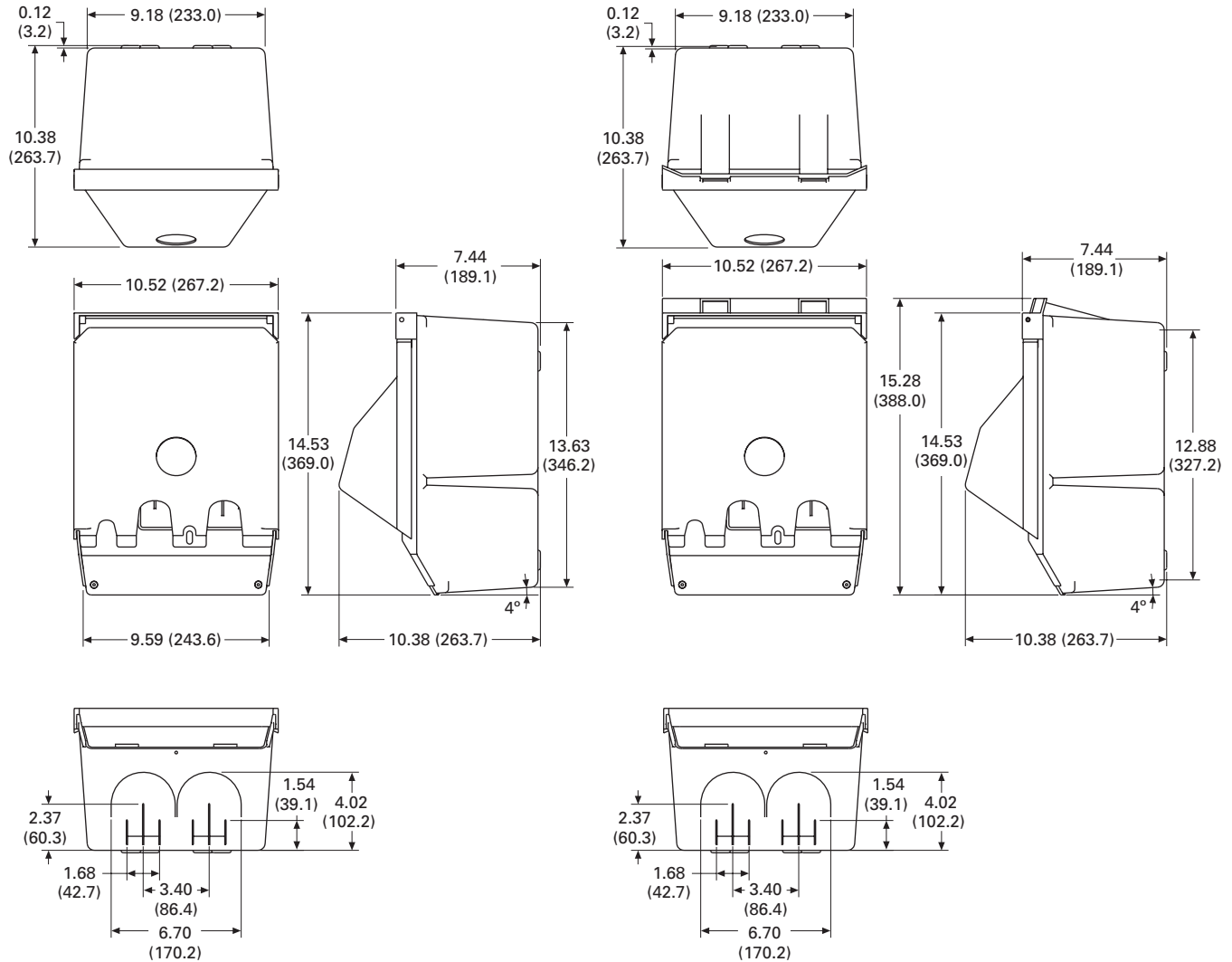
See **Page 359**.

### Dimensions

Approximate Dimensions in Inches (mm)

#### Newport Harbor Mate

6



**Newport Redesign**

**Newport Redesign With Meters**

Hatteras Light



**Hatteras Light**

**Product Description**

The Hatteras® Light is an elegant and low cost alternative to the Lighthouse. It uses the same 360 degree light assembly as the Lighthouse, yet is only 30 inches tall. Thousands of these attractive pedestals are found not only in marinas, but also around pools, deck areas, boardwalks and landscape areas. The housing will never rust or corrode and comes with a limited lifetime warranty. This unit is popular for smaller slips at marinas with the Lighthouse and for private docks.

**Note:** Wireless remote reading of electronic kilowatt meters.

**Note:** Clear lens.

**Note:** Custom paint color.

**Features, Benefits and Functions**

- Photocell controlled 13 watt fluorescent light (clear lens or amber lens for bug reduction)
- Circuit breakers
- Heavy resin housing with a two-part polyurethane coating for a UV resistant, long-lasting finish
- Copper bus bar with a maximum rating of 140A

**Contents**

<i>Description</i>	<i>Page</i>
Power Pedestals . . . . .	335
Lighthouse . . . . .	338
Lighthouse-SS . . . . .	342
Admiral-SS . . . . .	346
Newport Harbor Mate . . . . .	349
Hatteras Light	
Available Options . . . . .	354
Catalog Number Selection . . . . .	355
Accessories . . . . .	356
Dimensions . . . . .	356
Firehouse . . . . .	357
Smart Start . . . . .	363
Mariner . . . . .	364
Digital Electronic Kilowatthour Meters . . . . .	365
Distribution Equipment—Ground Fault Monitor . . . . .	366
Distribution Equipment—Mega Yacht Powerpoint . . . . .	367
Distribution Equipment—Substations . . . . .	370
Distribution Equipment—Panels . . . . .	373
Distribution Equipment—Transformers . . . . .	374



# 6.5

## Power Pedestals

### Marina Power and Lighting Equipment

#### Hatteras Light



360° controlled 13 watt fluorescent light with amber lens for bug reduction

Receptacle configurations available:  
Side 1: 30A, 50A  
Side 2: 30A, N/A  
Note: Custom configurations also available

Digital electronic metering

Circuit breakers

Phone, cable TV, high-speed Internet connections

1/4-inch resin housing with a two-part polyurethane coating for a UV resistant, long-lasting finish

1/2-turn brass ball valve and 3/4-inch hose bib

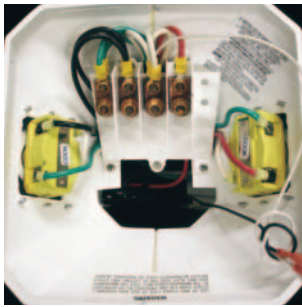
#### Available Options

- 20A/125V GFI receptacle (max. of two GFI receptacles per pedestal)

**Note:** 20A GFI receptacles are not to be used for shore power.

- Digital electronic metering (one or two element meter available)
- Single or dual phone, cable TV, high-speed Internet connections
- Single or dual 1/2-inch or 3/4-inch silcock with stainless steel handles
- LED lighting

6



**Copper Bus Bar with Ratings up to 140A**

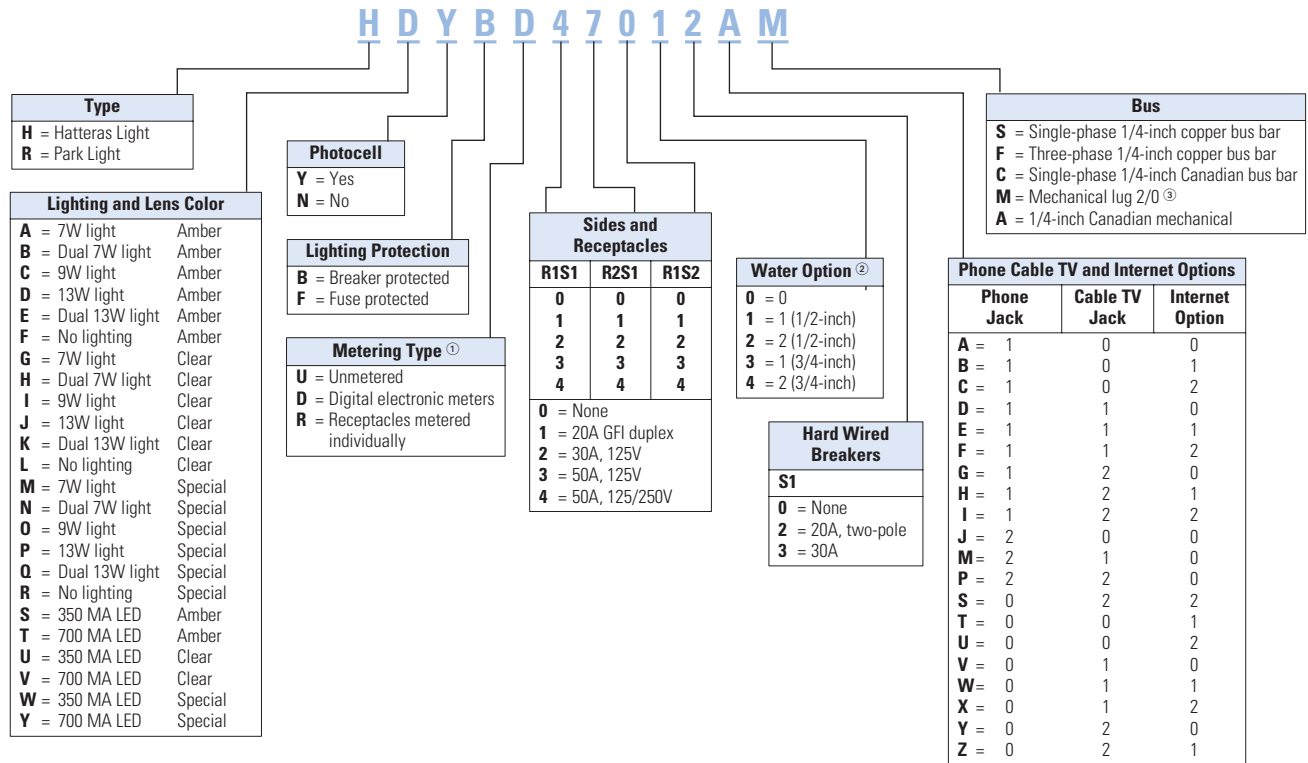


**20A/125A GFI Receptacle**



**Faceplate**

Catalog Number Selection



Receptacles: R1 = Receptacle 1  
R2 = Receptacle 2

**Notes**

- ① 20A GFIs not metered.
- ② Number represents the quantity of 1/4-turn ball valves with 3/4-inch hose bibs.
- ③ Wire size #2/0 kcmil or less.

# 6.5

## Power Pedestals

Marina Power and Lighting Equipment

### Accessories

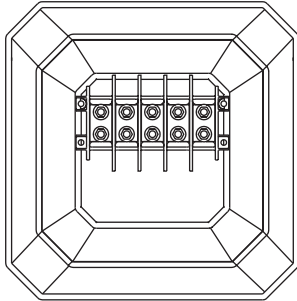
See **Page 359**.

### Dimensions

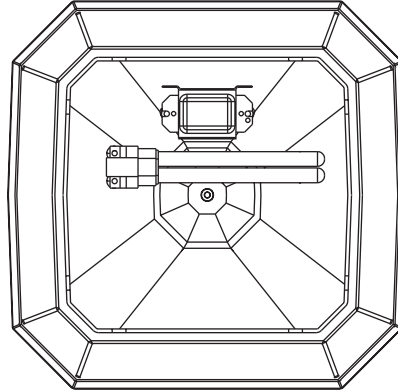
Approximate Dimensions in Inches (mm)

### Hatteras

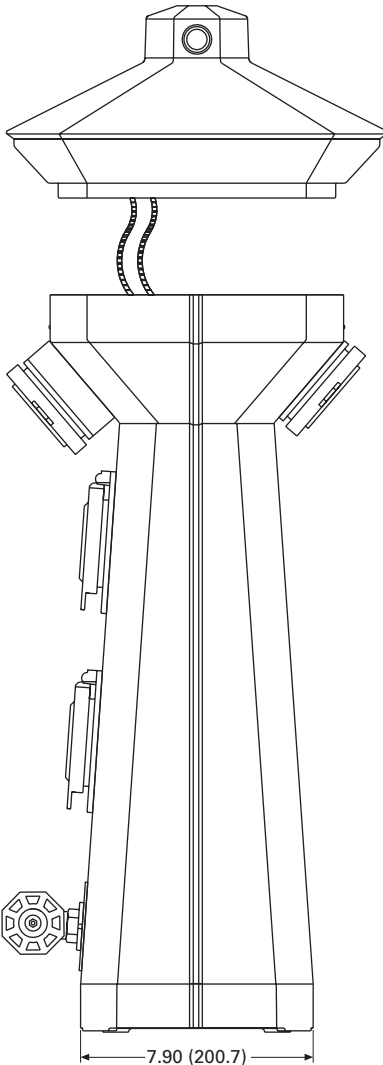
6



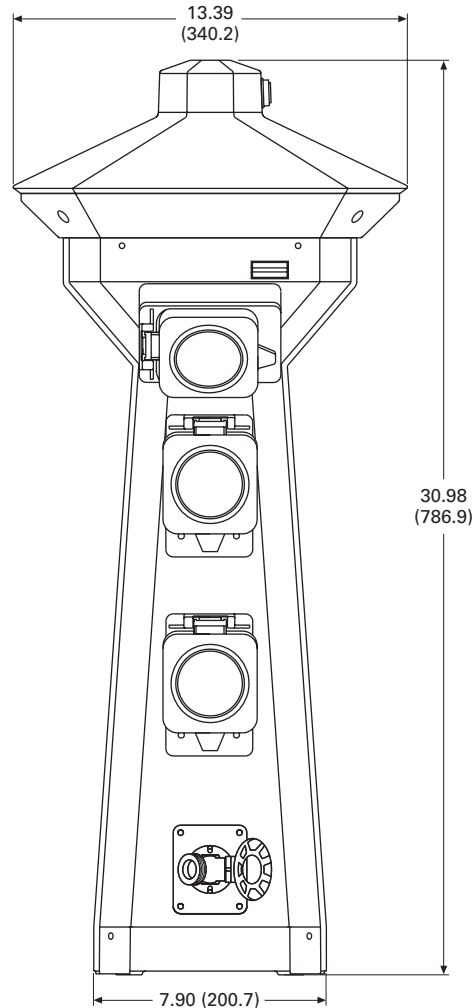
Bus Bar Access Top Removed



Inside Top



Side View



Front View

Firehouse



**Contents**

<i>Description</i>	<i>Page</i>
Power Pedestals . . . . .	335
Lighthouse . . . . .	338
Lighthouse-SS . . . . .	342
Admiral-SS . . . . .	346
Newport Harbor Mate . . . . .	349
Hatteras Light . . . . .	353
Firehouse	
Available Options . . . . .	358
Catalog Number Selection . . . . .	358
Accessories . . . . .	359
Dimensions . . . . .	362
Smart Start . . . . .	363
Mariner . . . . .	364
Digital Electronic Kilowatt-hour Meters . . . . .	365
Distribution Equipment—Ground Fault Monitor . . . . .	366
Distribution Equipment—Mega Yacht Powerpoint . . . . .	367
Distribution Equipment—Substations . . . . .	370
Distribution Equipment—Panels . . . . .	373
Distribution Equipment—Transformers . . . . .	374

**Firehouse**

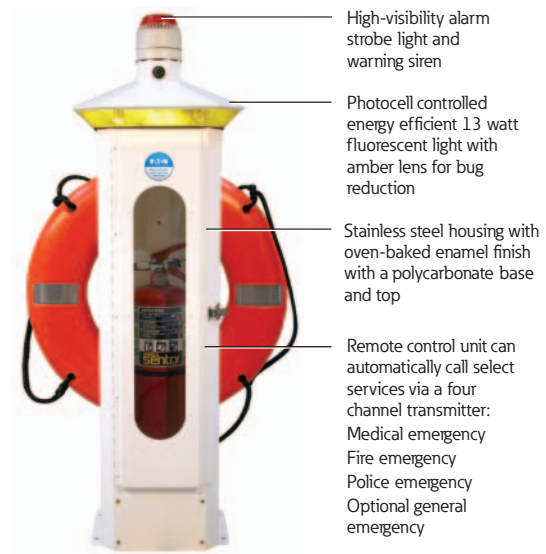
**Product Description**

Created as a complete solution for fire and rescue needs, this pedestal features fire extinguisher storage and a mounted alarm strobe light and siren, as well as an optional life ring. This unit is well equipped for any marina emergency. The alarm strobe light and siren can be automatically activated when the door is open or optional life ring is removed.

**Features, Benefits and Functions**

- Alarm strobe light and siren: automatically activated when door is open or optional life ring is removed
- Photocell controlled 13 watt fluorescent light (clear lens or amber lens for bug reduction)
- 10 lb ABC Type fire extinguisher
- 316L stainless steel polyester powder-coated housing
- Polycarbonate top assembly

**Firehouse**



# 6.5

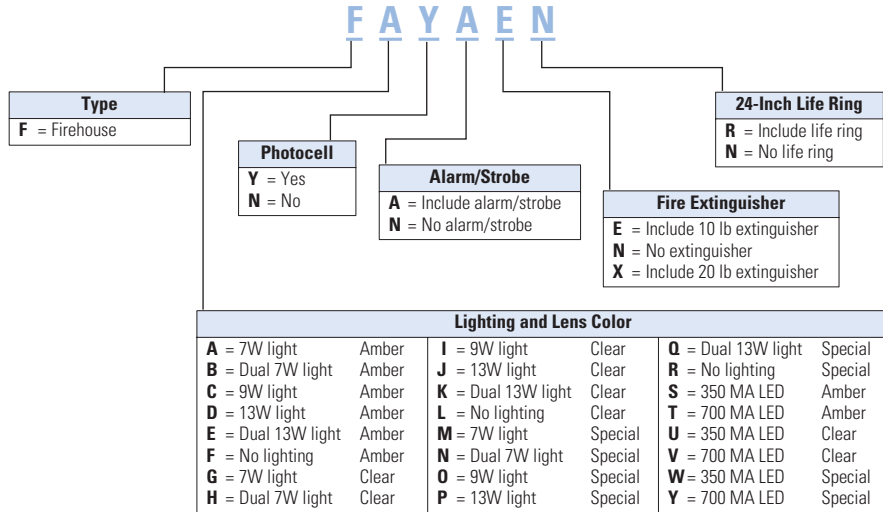
## Power Pedestals

### Marina Power and Lighting Equipment

#### Available Options

- 24-inch life ring
- 20 lb ABC Type fire extinguisher available

#### Catalog Number Selection



## Accessories

**Accessories for Custom Design Marina Products, Resin and Stainless Steel Pedestals and Power Products****Replacement Parts Catalog Numbers**

Description	Catalog Number
<b>Receptacles</b>	
20A GFCI duplex	MPL3038
30A 125V twistlock	MPL3039
50A 125V twistlock	MPL3040
50A 125/250V twistlock	MPL3045
100A 120/240V pin and sleeve	MPL4100R12W
100A 120/208V pin and sleeve	MPL5100R9W
100A 480V four-wire pin and sleeve	MPL4100R7W
100 A 480V five-wire pin and sleeve	MPL5100R7W
200A 277/480V pin and sleeve (Russellstoll®)	MPL4200R7W
30A 125V RV	RV3042
50A 125/250V RV	RV3043
<b>Circuit Breakers</b>	
20A 125V single-pole	QCF1020
20A 125V single-pole GFCI	QCGF1020
30A 125V single-pole	QCF1030
30A 125V single-pole GFCI	QCGF1030
50A 125V single-pole	QCF1050
20A 125/250V two-pole	QCF2020
20A 125/250V two-pole GFCI	QCGF2020
30A 125/250V two-pole	QCF2030
30A 125/250V two-pole GFCI	QCGF2030
50A 125/250V two-pole	QCF2050
50A 125/250V two-pole GFCI	QCGF2050
60A 125/250V two-pole	QCF2060
100A 125/250V two-pole	GHC2100D
100A 120/208V three-pole	GHC3100D
200A 277/480V three-pole	JT2200FA
<b>Fluorescent Light Assembly</b>	
13 watt 120V 60 Hz ballast	MPL2400
7 watt 120V 60 Hz ballast	MPL2401
13 watt socket	MPL3079
7 watt socket	MPL3077
13 watt fluorescent bulb	MPL3018
7 watt fluorescent bulb	MPL3019
Photocell	MPL3044
Photocell nuts	MPL3034
Lighthouse in-line fuse	MPL3026
Lighthouse in-line fuse holder	MPL3027
<b>Lighthouse, Lighthouse-SS, Powerhouse, Powerhouse-SS, Hatteras, Park Light</b>	
Top with complete light and lens assembly	MPL6003A
Top with complete light and lens assembly—fused	MPL6003FA
Top only	MPL6003
Amber lens	MPL6005
Clear lens	MPL6008

**Replacement Parts Catalog Numbers, continued**

Description	Catalog Number
<b>Lighthouse, Lighthouse-SS, Powerhouse, Powerhouse-SS, Hatteras, Park Light, continued</b>	
20A GFCI receptacle external cover set	MPL1101
30A receptacle external cover set	MPL1102
50A receptacle external cover set	MPL1105
Single-pole external breaker cover set	MPL11061
Two-pole external breaker cover set	MPL11062
Three-pole external breaker cover set	MPL11063
<b>Lighthouse, Lighthouse-SS, Powerhouse, Powerhouse-SS</b>	
Lighthouse/Powerhouse pedestal main housing	MPL6006
Lighthouse-SS/Powerhouse-SS pedestal main housing	MPL6006S
Lighthouse/Powerhouse main door	MPL6007
Lighthouse-SS/Powerhouse-SS main door	MPL6007S
Lighthouse/Powerhouse spring closure	MPL1099
Lighthouse Powerhouse top isolation plate	MPL6012
Lighthouse/Lighthouse-SS breaker plate	MPL1141
Powerhouse/Powerhouse-SS breaker plate	RV1112
Lighthouse/Lighthouse-SS/Powerhouse/Powerhouse-SS Hose and cable brackets	MPL1087
Lighthouse/Powerhouse stainless steel hinge	MPL1088
Lighthouse/Powerhouse complete pedestal base with bus bar assembly	MPL6004A
Lighthouse/Powerhouse complete pedestal base with three-phase bus bar assembly	MPL6004FA
Lighthouse/Powerhouse pedestal base without bus bars	MPL6004
Lighthouse/Powerhouse aluminum blank access panel	MPL5500
Lighthouse/Lighthouse-SS/Powerhouse/Powerhouse-SS complete bus bar assembly	MPL1140A
Lighthouse/Lighthouse-SS/Powerhouse/Powerhouse-SS complete three-phase bus bar assembly	MPL1140FA
Copper bus bar with nuts and washers	MPL3471
20A GFCI—00 amber resin faceplate	MPL1120
30A—20 GFCI amber resin faceplate	MPL1121
30—50A amber resin faceplate	MPL1122
30—30A amber resin faceplate	MPL1127
30—00A amber resin faceplate	MPL1129
50—50A amber resin faceplate	MPL1123
50A—20 GFCI amber resin faceplate	MPL1124
20 GFCI—20 GFCI amber resin faceplate	MPL1125
00—00 amber resin faceplate	MPL1126
50A—00 amber resin faceplate	MPL1128
100A faceplate	MPL1142
20A GFCI—00 amber resin faceplate assembly with breakers	MPL1120A
30A—20 GFCI amber resin faceplate assembly with breakers	MPL1121A
30—50A amber resin faceplate assembly with breakers	MPL1122A

## Replacement Parts Catalog Numbers, continued

Description	Catalog Number
<b>Lighthouse, Lighthouse-SS, Powerhouse, Powerhouse-SS, continued</b>	
30–30A amber resin faceplate assembly with breakers	MPL1127A
50–50A amber resin faceplate assembly with breakers	MPL1123A
50A—20 GFCI amber resin faceplate assembly with breakers	MPL1124A
20 GFCI—20 GFCI amber resin faceplate assembly with breakers	MPL1125A
50A—00 amber resin faceplate assembly with breakers	MPL1128A
30—00A faceplate assembly with breakers	MPL1129A
100A faceplate assembly with breakers	MPL1142A
Powerhouse 30–50 receptacle plate	RV1143
Powerhouse (30A—00) receptacle plate	RV11433
Powerhouse (50A—00) receptacle plate	RV11435
Powerhouse breaker plate	RV1112
<b>Phone, Cable, Internet Assemblies</b>	
Lighthouse/Powerhouse complete phone and cable assembly	MPL1114/RV1114
Lighthouse-SS/Powerhouse-SS/Hatteras Light/Park Light complete phone and cable assembly	MPL1119/RV1119
Hatteras Light/Park Light complete phone and cable assembly	MPL1119
Newport Harbor Mate/Camp Mate phone and cable insert assembly	MPL1115/RV1115
Lighthouse/Powerhouse access plates with dual Internet jacks	MPL5501
Coax cable TV FCF female adpt. with lugnut and washer	MPL1086
RJ45 CAT5e high-speed internet jack	MPL3059
Marine phone receptacle	MPL3037
RJ12 CAT3 phone jack	RV3060
<b>Water Assemblies</b>	
Lighthouse/Powerhouse complete water manifold assembly (dual 3/4-inch hose bibs with 1/4-turn ball valves)	MPL11A
Newport Harbor Mate/Newport Camp Mate water manifold assembly (dual 3/4-inch hose bibs with 1/4-turn ball valves)	MPL11C
3/4-inch hose adapter	MPL7030
Lighthouse/Powerhouse water mounting plate with mounting brackets	MPL1132
Hatteras Light/Park Light aluminum water mounting plate	MPL6584
1/2-inch brass silcock (hose bib)	MPL7014
3/4-inch stainless steel silcock (hose bib)	MPL5271
3/4-inch brass ball valve	MPL7021
Watts 3/4-inch backflow preventer	MPL7015

## Replacement Parts Catalog Numbers, continued

Description	Catalog Number
<b>Digital Electronic Meters</b>	
Single element, 14-pin quick disconnect (no CTs)	MPL17A1
Single element, 14-pin quick disconnect (with CTs)	MPL17A2 <sup>①</sup>
Single element, 14-pin quick disconnect (with CTs)	MPL17A2 <sup>②</sup>
Dual element, 14-pin quick disconnect (no CTs)	MPL17B1
Dual element, 14-pin quick disconnect (with CTs)	MPL17B2 <sup>①</sup>
Dual element, 14-pin quick disconnect (with CTs)	MPL17B2 <sup>②</sup>
Three element, 14-pin quick disconnect (no CTs)	MPL17C1
Three element, 14-pin quick disconnect (with CTs)	MPL17C2 <sup>①</sup>
Three element, 14-pin quick disconnect (with CTs)	MPL17C2 <sup>②</sup>
Single element coil transformers (CTs)	MPL30321 <sup>①</sup>
Single element coil transformers (CTs)	MPL30321 <sup>②</sup>
Dual element coil transformers (CTs)	MPL30322 <sup>①</sup>
Dual element coil transformers (CTs)	MPL30322 <sup>②</sup>
Three element coil transformers (CTs)	MPL30323 <sup>①</sup>
Three element coil transformers (CTs)	MPL30323 <sup>②</sup>
Counter (large—old style)	MPL3022
Counter (small—new style)	MPL3021
<b>Hatteras Light (Marina) and Park Light (RV) <sup>③</sup></b>	
Pedestal main housing	MPL6002
Copper bus bar with nuts and washers	MPL3468
Complete bus bar assembly	MPL1108A
Complete three-phase bus bar assembly	MPL1108FA
20A GFCI external cover door	MPL1101
30A external cover door	MPL1102
50A external cover door	MPL1105
Light fuse	MPL3026
Fuse holder	MPL3027
Mounting feet (set of four)	MPL7004

**Notes**

- <sup>①</sup> Lighthouse, Lighthouse-SS, Powerhouse, Powerhouse-SS.  
<sup>②</sup> Hatteras Light, Park Light, Newport Camp Mate, Newport Harbor Mate.  
<sup>③</sup> Please contact factory to determine configurations for replacement housing.

## Replacement Parts Catalog Numbers, continued

Description	Catalog Number
<b>Newport Harbor Mate (MARINA) and Camp Mate (RV)</b>	
Amber lens—three-piece	MPL1117
Clear lens—three-piece	MPL1109
Main housing	MPL6000
Main door	MPL6001
30–30A faceplate ①	MPL1135
30–50A faceplate ①	MPL1136
50–50A faceplate ①	MPL1137
50A–00 faceplate ①	MPL1138
30A–00 faceplate ①	MPL1139
30–30A faceplate assembly with breakers ①	MPL1135A
30–30–20 GFI faceplate assembly ①	MPL1135G/RV1135G
30–50A faceplate assembly with breakers ①	MPL1136A
30–50–20 GFI faceplate assembly ①	MPL1136G/RV1136G
50–50A faceplate assembly with breakers ①	MPL1137A
50–50–20 GFI faceplate assembly ①	MPL1137G/RV1137G
50A–00 faceplate assembly with breakers ①	MPL1138A
50–20 GFI faceplate assembly ①	MPL1138G/RV1138G
30A–00 faceplate assembly with breakers ①	MPL1139A
30–20 GFI faceplate assembly ①	MPL1139G/RV1139G
Mounting brackets	MPL7005
36-inch stainless steel stand	MPL5506
Copper bus bar with nuts and washers	MPL3468
Complete bus bar assembly	MPL1108A
Complete three-phase bus bar assembly	MPL1108FA
<b>Firehouse (Marina and RV)</b>	
Red strobe light/siren	MPL3020
Firehouse top with lighting assembly and strobe	MPLFH6003A
Light fuse	MPL3029
Fuse holder	MPL3028
Door	MPL6013
24-inch life ring	MPL4201
Life ring bracket	MPL4201B
Blank access panel	MPL6015
Door/life ring switch (pre-2004)	MPL3030
Door/life ring switch (new)	MPL3050
Door hasp	MPL3950
Bus bar (double barrel terminal block)	MPL3751
10-lb ABC Type fire extinguisher	MPL8025
20-lb ABC Type fire extinguisher	MPL8025X

**Note**

① For custom faceplates to include phone/cable or other accessories, please contact Eaton's Marina Power & Lighting facility at 1-800-723-8009.



# 6.5

## Power Pedestals

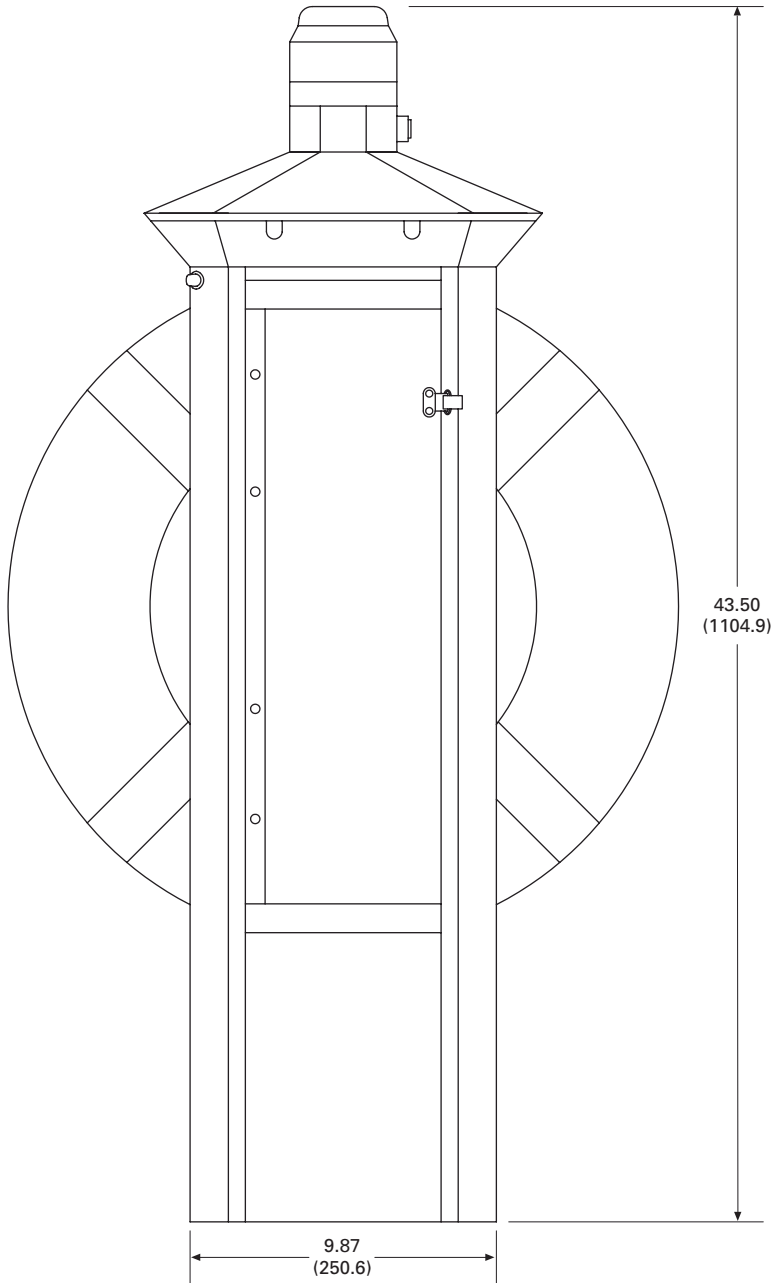
### Marina Power and Lighting Equipment

#### Dimensions

Approximate Dimensions in Inches (mm)

#### Firehouse-SS

6



Smart Start



**Contents**

<i><b>Description</b></i>	<i><b>Page</b></i>
Power Pedestals . . . . .	335
Lighthouse . . . . .	338
Lighthouse-SS . . . . .	342
Admiral-SS . . . . .	346
Newport Harbor Mate . . . . .	349
Hatteras Light . . . . .	353
Firehouse . . . . .	357
Smart Start	
Mariner . . . . .	364
Digital Electronic Kilowatthour Meters . . . . .	365
Distribution Equipment—Ground Fault Monitor . . . . .	366
Distribution Equipment—Mega Yacht Powerpoint . . . . .	367
Distribution Equipment—Substations . . . . .	370
Distribution Equipment—Panels . . . . .	373
Distribution Equipment—Transformers . . . . .	374

**Smart Start**

**Product Description**

If you have transient boat slips, Eaton Corporation-Marina Power and Lighting has developed their newest product for your situation.

The new “Smart Start” pedestal is activated by the swipe of a credit card. A kiosk will be centrally located at the marina and will control up to 32 power pedestals. When a boater wants to use a slip, they will enter the slip number and amount of time they would like and will then be asked to swipe a card in order to activate the pedestal. Once the chosen time is up, the pedestal will shut down. No more free power!

The “Smart Start” pedestal will not only prevent transient boaters from stealing power, but it will also eliminate the need for 24-hour monitoring of the slips. Boaters will be able to come in at any time of the day and activate a pedestal.

**Features**

- Lighted 316L stainless steel kiosk enclosure
- Programmable slip time blocks
- Programmable slip rates printable receipts

**Standards and Certifications**

- UL listing pending



**Dimensions**

Approximate Dimensions in Inches (mm)

<b>Smart Start</b>	
Height	60.05 (1525.3)
Width	14.15 (359.4)
Depth	14.24 (361.9)

Marina Power and Lighting Equipment



Mariner

6

### Contents

Description	Page
Power Pedestals . . . . .	335
Lighthouse . . . . .	338
Lighthouse-SS . . . . .	342
Admiral-SS . . . . .	346
Newport Harbor Mate . . . . .	349
Hatteras Light . . . . .	353
Firehouse . . . . .	357
Smart Start . . . . .	363
Mariner	
Digital Electronic Kilowatthour Meters . . . . .	365
Distribution Equipment—Ground Fault Monitor . . . . .	366
Distribution Equipment—Mega Yacht Powerpoint . . . . .	367
Distribution Equipment—Substations . . . . .	370
Distribution Equipment—Panels . . . . .	373
Distribution Equipment—Transformers . . . . .	374

### Mariner

#### Product Description

The Mariner is a lighting bollard that can stand from 1.5 to 4 feet tall and can be used in various applications from marina docks, to landscaped areas, golf courses and beyond. The Mariner will have a lifetime warranty on the engineered resin housing that will withstand the harsh marine and land environments from Alaska to the tropics.

#### Features

- Can be configured with a 7 watt, 9 watt or 13 watt fluorescent bulb
- Mounting base and painted pole supplied for desired height
- Limited lifetime warranty on engineered resin housing
- Custom colors available
- Side-mounted option

#### Dimensions

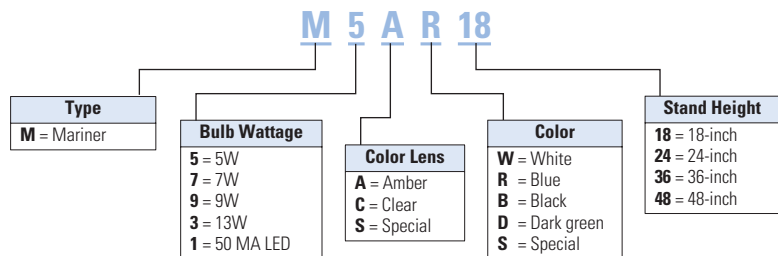
Approximate Dimensions in Inches (mm)

Mariner	
7 watt	14.15 (359.4)
9 watt/13 watt	14.24 (361.9)

#### Mounting Base and Pole

1.5 feet–4 feet
-----------------

#### Catalog Number Selection



Digital Electronic Kilowatt Hour Meters



Contents

<i>Description</i>	<i>Page</i>
Power Pedestals . . . . .	335
Lighthouse . . . . .	338
Lighthouse-SS . . . . .	342
Admiral-SS . . . . .	346
Newport Harbor Mate . . . . .	349
Hatteras Light . . . . .	353
Firehouse . . . . .	357
Smart Start . . . . .	363
Mariner . . . . .	364
Digital Electronic Kilowatthour Meters	
Distribution Equipment—Ground Fault Monitor . . . . .	366
Distribution Equipment—Mega Yacht Powerpoint . . . . .	367
Distribution Equipment—Substations . . . . .	370
Distribution Equipment—Panels . . . . .	373
Distribution Equipment—Transformers . . . . .	374

Digital Electronic Kilowatthour Meters

Product Description

Using the latest surface mount technology, Eaton manufactures a digital electronic kilowatthour meter that exceeds the +/- 2% accuracy required by ANSI (American National Standards Institute) C-12.1 and is approved by the state of California at +/- 1% over the full range of 0–100A from a 0.5–1 power factor and is available for both single- and three-phase applications.

The meter drives an electro-mechanical counter that requires a 12V pulse each tenth of a kilowatthour, providing 10 pulses per kilowatt used. The meter output can be hard wired or connected to a transmitter in the pedestal for wireless transmission to a receiver displaying the output on a PC for direct billing of up to 1,000 individual customers.

Features

Our meter is designed to be user friendly in that all connections from external sources and the meter output are through one 14-pin locking connector. This feature eliminates many common problems, such as reverse line polarity and improper coil polarity. Simple LEDs, both red and green, indicate line and load condition and the pulsed LED indicates the rate of power consumption.

Wireless System

All of our meters are “wireless capable” to allow for wireless meter reading. This technology enables the marina or RV park to get meter readings from one central location rather than visiting every site to read the counters.

Meter Socket Capabilities

Meter sockets are available on the Lighthouse and Lighthouse-SS.

Standard

- Four jaw
- Ring-type
- 100A

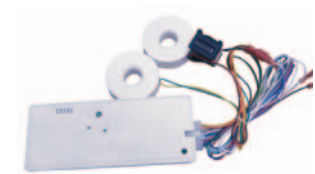
Available Options

- 200A (SS only)
- Lockable hasp
- Ringless (SS only)
- Five jaw
- Seven jaw (SS only)

Product Selection



One Element Meter



Two Element Meter



Three Element Meter

#### Ground Fault Monitor



6

#### Contents

<i>Description</i>	<i>Page</i>
Power Pedestals . . . . .	335
Lighthouse . . . . .	338
Lighthouse-SS . . . . .	342
Admiral-SS . . . . .	346
Newport Harbor Mate . . . . .	349
Hatteras Light . . . . .	353
Firehouse . . . . .	357
Smart Start . . . . .	363
Mariner . . . . .	364
Digital Electronic Kilowatthour Meters . . . . .	365
Distribution Equipment—Ground Fault Monitor . . . . .	
Distribution Equipment—Mega Yacht Powerpoint . . . . .	367
Distribution Equipment—Substations . . . . .	370
Distribution Equipment—Panels . . . . .	373
Distribution Equipment—Transformers . . . . .	374

#### Distribution Equipment—Ground Fault Monitor

##### Product Description

Our ground fault monitoring systems are designed to detect fault currents in the AC shore power system that are too low to trip a circuit breaker. The ground fault monitor helps reduce the risk of injury or property damage that may result from stray fault currents. Our ground fault monitoring system provides information to the maintenance staff on the overall condition of the AC electrical system. The ground fault monitoring system operates 24 hours a day and can be monitored by non-technical personnel.

##### Features

- Adjustable trip level 10 mA to 10A
- Current transformers up to 8 1/4-inch diameter
- Visual and/or audible alarm
- Housing of fiberglass or powder-coated stainless steel available

##### Power Guard

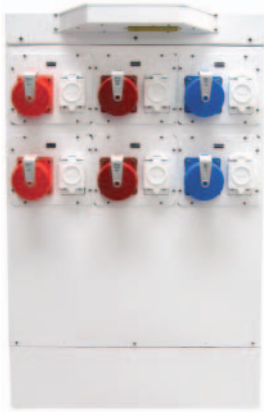
The ground fault monitor detects ground fault currents by means of current transformers (CT), which are placed around main or branch circuits. If a ground fault occurs, the CT will detect the amount of fault current and send a signal to the ground fault monitoring device where the amount of fault current is displayed with the faulty circuit identified. The detected fault can either activate an indicator alarm or disconnect the faulted circuit.

##### Standards and Certifications

- UL listed current transformers



Marina Power and Lighting Equipment



Contents

<i>Description</i>	<i>Page</i>
Power Pedestals . . . . .	335
Lighthouse . . . . .	338
Lighthouse-SS . . . . .	342
Admiral-SS . . . . .	346
Newport Harbor Mate . . . . .	349
Hatteras Light . . . . .	353
Firehouse . . . . .	357
Smart Start . . . . .	363
Mariner . . . . .	364
Digital Electronic Kilowatthour Meters . . . . .	365
Distribution Equipment—Ground Fault Monitor . . . . .	366
Distribution Equipment—Mega Yacht Powerpoint Wiring Diagram . . . . .	368
Dimensions . . . . .	369
Distribution Equipment—Substations . . . . .	370
Distribution Equipment—Panels . . . . .	373
Distribution Equipment—Transformers . . . . .	374

**Distribution Equipment—Mega Yacht Powerpoint**

**Product Description**

From the company that is known for its high-quality innovations, Eaton is the only company to offer a self-contained dual-phase mega yacht unit. Made out of long-lasting stainless steel, this mega yacht unit has a copper-wound, low-noise transformer that is double insulated and epoxy overcoated. The mega yacht unit delivers both single-phase and three-phase power to serve most mega yachts. Helping to keep your marina environment tranquil, the mega yacht unit has a low-noise, highly efficient transformer that has isolation mounts to ensure a very quiet operation.

**Features**

- Thermostatically controlled fans in transformer compartment for cooling
- Heavy stainless steel (316L) cabinet with a polyester powder coating
- Ventilated sun shields to help unit run cooler in tropical climates
- Limited lifetime warranty on housing
- Two or three light 13 watt photocell controlled fluorescent lights on the sun shield for optimal night lighting

**Available Options**

- 200A–480V three-phase receptacles
- 100% rated breakers
- Hard wiring bus bars for all voltages with breaker protection
- Two 3/4 inch water outlets with a water meter
- Two phone, two CATV and two CAT5 high-speed Internet connections
- Digital electronic meters on all receptacles
- Primary breaker
- Two 480V delta or wye 125A three-phase receptacles (IEC)
- Two 120/208V 100A three-phase receptacles (IEC)
- Two 120/240V 100A single-phase receptacles (IEC)
- Up to four 50A 120/240V locking receptacles (NEMA)
- Up to four 30A 120V locking receptacles (NEMA)
- Wireless remote metering for electric and water
- 20A GFI receptacle
- Primary side 480V maximum 600A
- Secondary side single-phase 120/240V maximum 100 kVA
- Secondary side three-phase 120/208V maximum 125 kVA
- Fire extinguisher—10 or 20 lbs

# 6.5

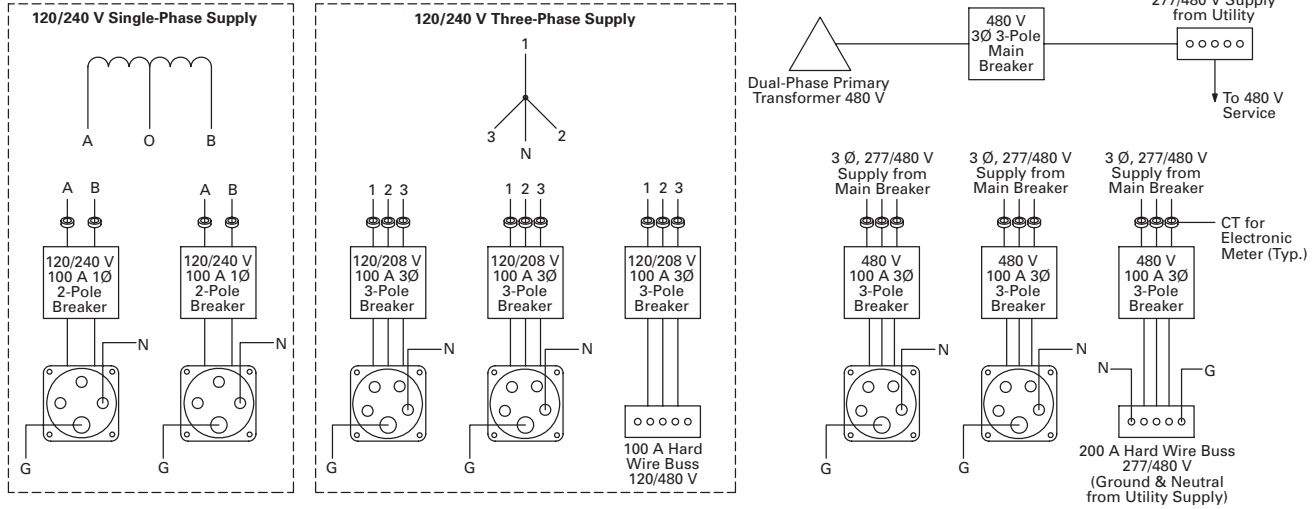
## Power Pedestals

### Marina Power and Lighting Equipment

#### Wiring Diagram

#### Powerpoint

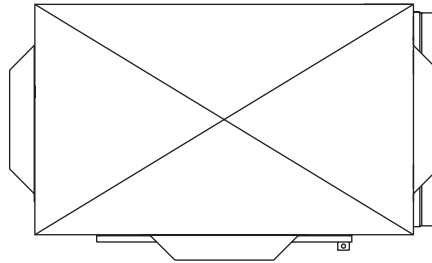
6



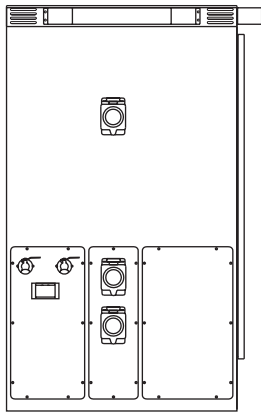
**Dimensions**

Approximate Dimensions in Inches (mm)

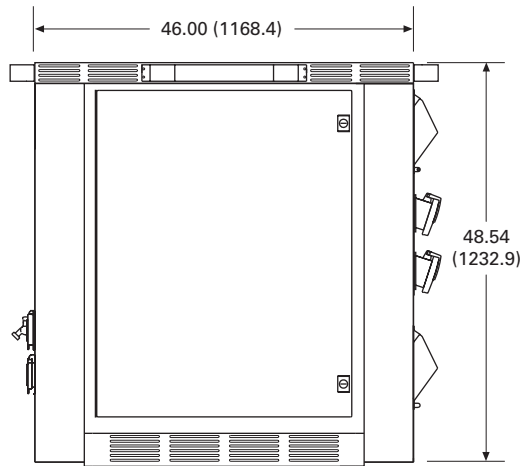
**Powerpoint Unit**



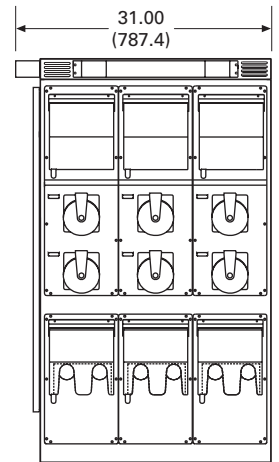
**Top With Solar Shield**



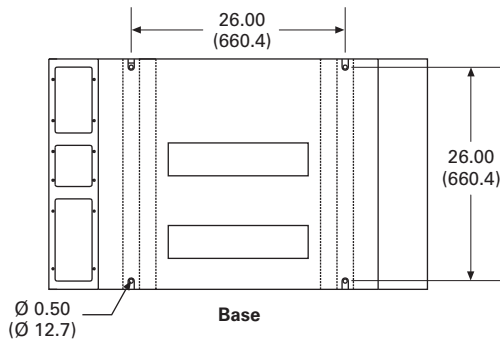
**Left Side**



**Front**



**Right Side**



**Base**



#### Substations



*Double Panel Substation*

#### Contents

<i>Description</i>	<i>Page</i>
Power Pedestals . . . . .	335
Lighthouse . . . . .	338
Lighthouse-SS . . . . .	342
Admiral-SS . . . . .	346
Newport Harbor Mate . . . . .	349
Hatteras Light . . . . .	353
Firehouse . . . . .	357
Smart Start . . . . .	363
Mariner . . . . .	364
Digital Electronic Kilowatthour Meters . . . . .	365
Distribution Equipment—Ground Fault Monitor . . . . .	366
Distribution Equipment—Mega Yacht Powerpoint . . . . .	367
Distribution Equipment—Substations	
Features, Benefits and Functions . . . . .	371
Available Options . . . . .	372
Standards and Certifications . . . . .	372
Dimensions . . . . .	372
Distribution Equipment—Panels . . . . .	373
Distribution Equipment—Transformers . . . . .	374

#### Distribution Equipment—Substations

##### Product Description

The introduction of substations into the marina and recreational vehicle market allows Eaton to be your complete marina and RV park electrical products supplier. We are able to assist in the design and layout of your marina or RV park electrical system from the primary service provider, to your power pedestal. Our substations are designed for any coastal or inland environment and are constructed of powder-coated stainless steel NEMA 3R housing cabinets. All substation cabinets come with our limited lifetime warranty. All of our substations use Eaton's panels and circuit breakers providing our customers the utmost in circuit protection and quality.

##### Application Description

The aluminum and Galvaneal cabinets are recommended for inland applications. The substations can be configured with 50–330 kVA single-phase or three-phase copper wound transformers and up to 20 single-phase or 12 three-phase branch breakers. An optional three-sided double-wall cabinet is available that provides air flow between the panels. All substations come standard with temperature controlled cooling fans.

##### Product Selection Guide

##### Panel and Transformer Combinations

Panel	Transformer
<b>Single-Phase</b>	
200A	50 kVA
300A	75 kVA
400A	100 kVA
600A	150 kVA
700A	167.5 kVA
800A	200 kVA
1000A	250 kVA
1200A	330 kVA
<b>Three-Phase</b>	
100A	45 kVA
200A	75 kVA
300A	112.5 kVA
400A	150 kVA
600A	225 kVA
800A	300 kVA

**Features, Benefits and Functions**

- Limited lifetime warranty on the housing
- All stainless steel hardware
- Temperature controlled cooling fans in the transformer and circuit breaker compartments
- Lockable door

**Ventilation**

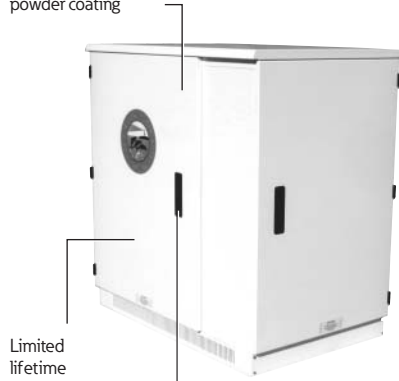
The substation ventilation is designed to optimize air circulation over and around the transformers and through the panel compartment so that the substation operates at lower temperatures.

Substations come equipped with temperature controlled cooling fans for exhausting hot air from the cabinet and solar shield.

In addition, substations are available with a double-walled cabinet and solar shield, which allow for cooling of both the exterior surface of the cabinet and the internal components.

**Substations**

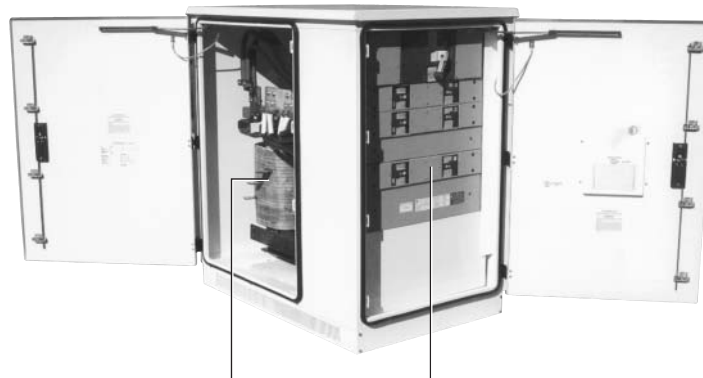
Stainless steel housing with polyester powder coating



Limited lifetime warranty on the housing

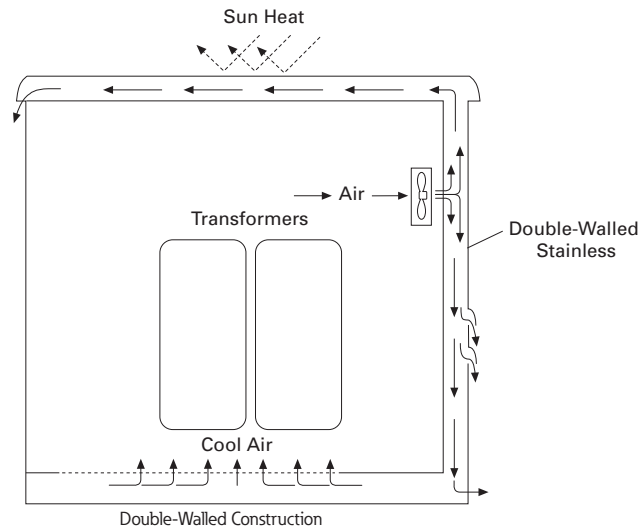
Stainless steel hardware with locking doors

Temperature-controlled fans for cooling



Custom made to your specifications: Single-phase or three-phase copper wound transformers 50 to 330 kVA

Up to 1200A main circuit breaker with 20 single-phase or 12 three-phase branch circuit breakers



#### Available Options

- Powder-coated cabinets made of stainless steel or fiberglass
- Limited lifetime warranty on housing. Transformer and secondary distribution panel in a single enclosure have a one-year limited warranty
- Stainless steel housing and hardware with locking doors
- Single-phase and three-phase models
- Overload capacity meets ANSI L57.96-01.250
- Optional double-walled construction
- Temperature controlled fans for cooling
- Custom-made copper wound single-phase or three-phase transformers from 50–330 kVA
- Up to 1200A main circuit breaker with 15 single-phase branch circuit breakers or 10 three-phase branch circuit breakers
- Substations can be equipped with photocells to turn on and off lights
- A 20A GFI can be installed in the cabinet, as well as a ground fault monitoring system

#### Standards and Certifications

- cULus listed



#### Dimensions

Approximate Dimensions in Inches (mm)

##### Substations

Standard Substation	
Height	53.00 (1346.2)
Width	51.00 (1295.4)
Depth	33.00 (838.2)
Side-by-Side Substation	
Height	53.00 (1346.2)
Width	66.00 (1676.4)
Depth	30.00 (762.0)
Double Panel Substation	
Height	53.00 (1346.2)
Width	63.00 (1600.2)
Depth	33.00 (838.2)

Panels



Panel (Stainless Steel Shown)

Contents

<i>Description</i>	<i>Page</i>
Power Pedestals . . . . .	335
Lighthouse . . . . .	338
Lighthouse-SS . . . . .	342
Admiral-SS . . . . .	346
Newport Harbor Mate . . . . .	349
Hatteras Light . . . . .	353
Firehouse . . . . .	357
Smart Start . . . . .	363
Mariner . . . . .	364
Digital Electronic Kilowatthour Meters . . . . .	365
Distribution Equipment—Ground Fault Monitor . . . . .	366
Distribution Equipment—Mega Yacht Powerpoint . . . . .	367
Distribution Equipment—Substations . . . . .	370
Distribution Equipment—Panels . . . . .	374
Distribution Equipment—Transformers . . . . .	374

Distribution Equipment—Panels

Product Description

Two of the many products we can offer our customers are Eaton’s PRL-3A and PRL-4 panels as standalone units or in one of our substations. All of our busses are made of copper and are load rated; breakers are bolt-on type. Distribution panels can be 120/240V single-phase, 120/208V three-phase, 277/480V three-phase or 220Y/127V three-phase based on your system requirements. Distribution panels can also have a main breaker or a main lug. Branch circuit breakers are provided based on customer requirements.

Features

- All internal wiring is fine stranded 1000V insulated copper
- Copper bus bars
- All exterior hardware is stainless steel

Available Options

- NEMA 3R or 4X
- Powder-coated stainless steel
- Main breaker up to 1200A
- Branch breaker 20–1200A
- Main lug only
- We also offer 480V models—single-phase and three-phase

Standards and Certifications

- UL listed
- cULus listed



Single-Phase

- Up to 1200A main circuit breakers
- Up to 42 branch circuit breakers

Three-Phase

- Up to 1200A main circuit breakers
- Up to 42 branch circuit breakers

#### Transformers



Three-Phase Transformer

#### Contents

<i>Description</i>	<i>Page</i>
Power Pedestals . . . . .	335
Lighthouse . . . . .	338
Lighthouse-SS . . . . .	342
Admiral-SS . . . . .	346
Newport Harbor Mate . . . . .	349
Hatteras Light . . . . .	353
Firehouse . . . . .	357
Smart Start . . . . .	363
Mariner . . . . .	364
Digital Electronic Kilowatthour Meters . . . . .	365
Distribution Equipment—Ground Fault Monitor . . . . .	366
Distribution Equipment—Mega Yacht Powerpoint . . . . .	367
Distribution Equipment—Substations . . . . .	370
Distribution Equipment—Panels . . . . .	373
Distribution Equipment—Transformers	

#### Distribution Equipment—Transformers

##### Product Description

Because of the high humidity and corrosive conditions of coastal environments, our transformers are wound with Class H heavily insulated copper bar and are double dipped in tough insulating varnish that protects the copper, as well as reduces the hum that is typical in a transformer that is not double dipped. We provide a second overcoat of high temperature epoxy to protect against the severe saltwater environment. We can provide this transformer in single-phase, from 50–500 kVA, and three-phase, from 45–300 kVA.

##### Features

- Copper wound transformer coils double dipped in high temperature baking varnish
- All internal wiring is fine stranded 2000V insulated copper
- Copper bus bars
- Marine transformers with epoxy overcoat
- All copper-to-copper connections

##### Available Options

- Single-phase: 50–500 kVA
- Three-phase: 45–300 kVA
- Epoxy overcoat for non-marine applications

##### Primary Voltages

- 480 wye three-phase
- 480V three-phase delta three-wire + ground
- 480V single-phase two-wire + ground

##### Secondary Voltages

- 127/220V three-phase wye four-wire
- 120/208V three-phase wye four-wire
- 120/240V single-phase three-wire

##### Marina Power Distribution Transformer kVA Availabilities

- Single-phase: 50, 75, 100, 150, 167.5, 200, 250, 330, 500 kVA
- Three-phase: 45, 75, 112.5, 150, 225, 300 kVA

##### Standards and Certifications

- cULus listed

